



Spare Parts List  
Ersatzteilliste  
Liste de pièces détachées  
Lista de piezas de repuesto

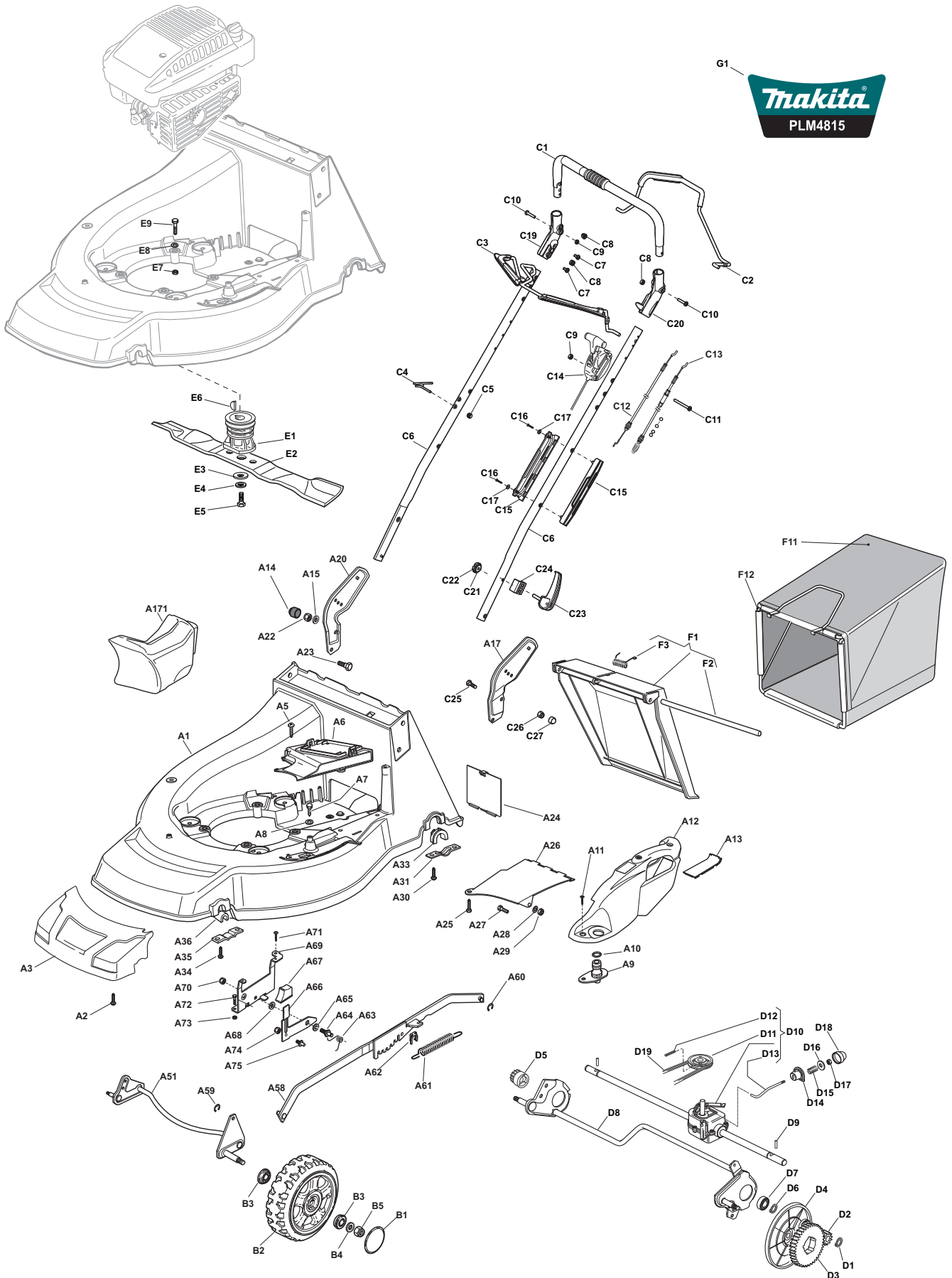
2011-02



(2011)

PLM4815  
PLM4816  
PLM5114  
PLM5115

995700647 (D, GB, F, E)



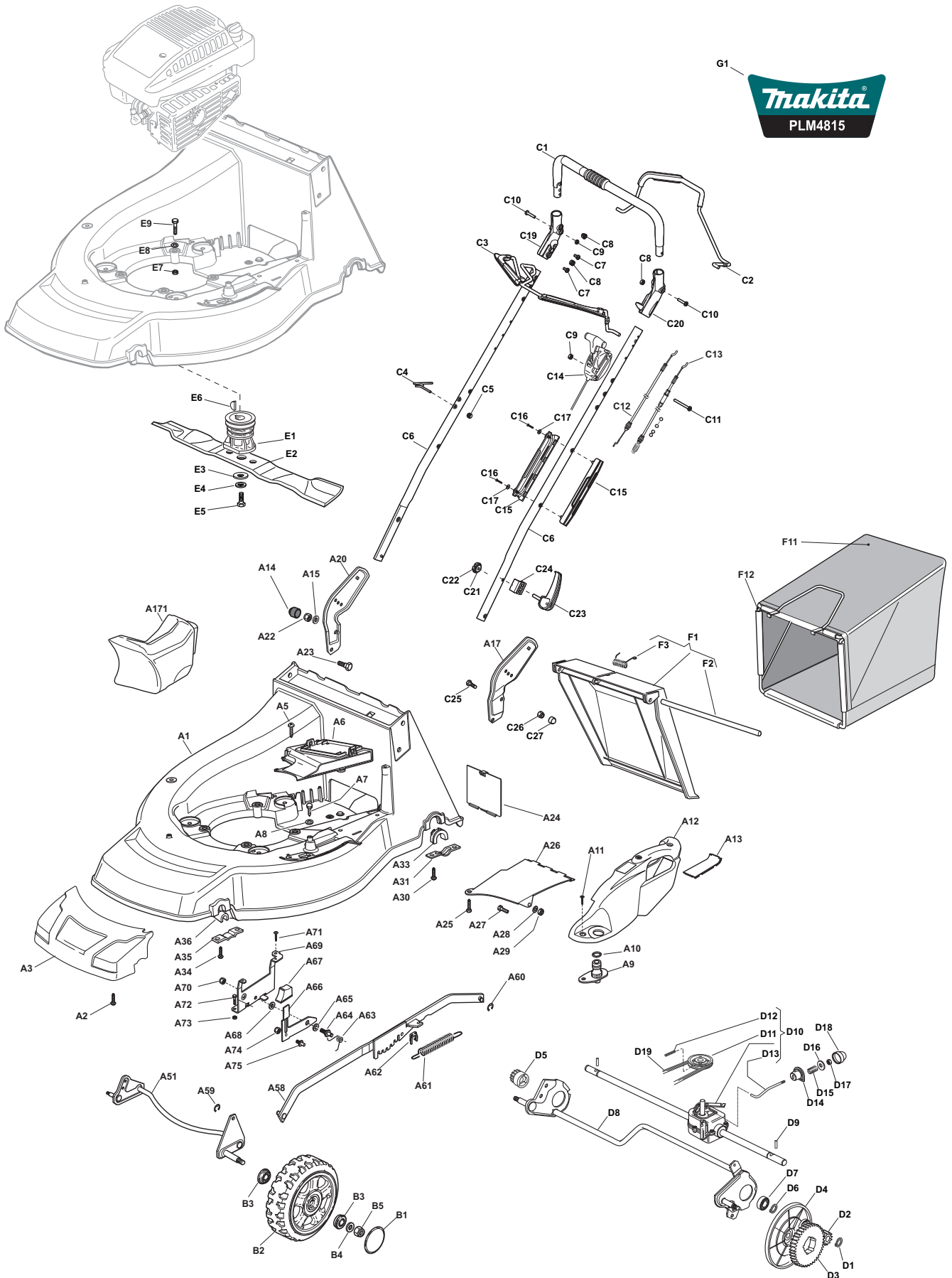
(2011) PLM4815, PLM4816,  
PLM5114, PLM5115

1

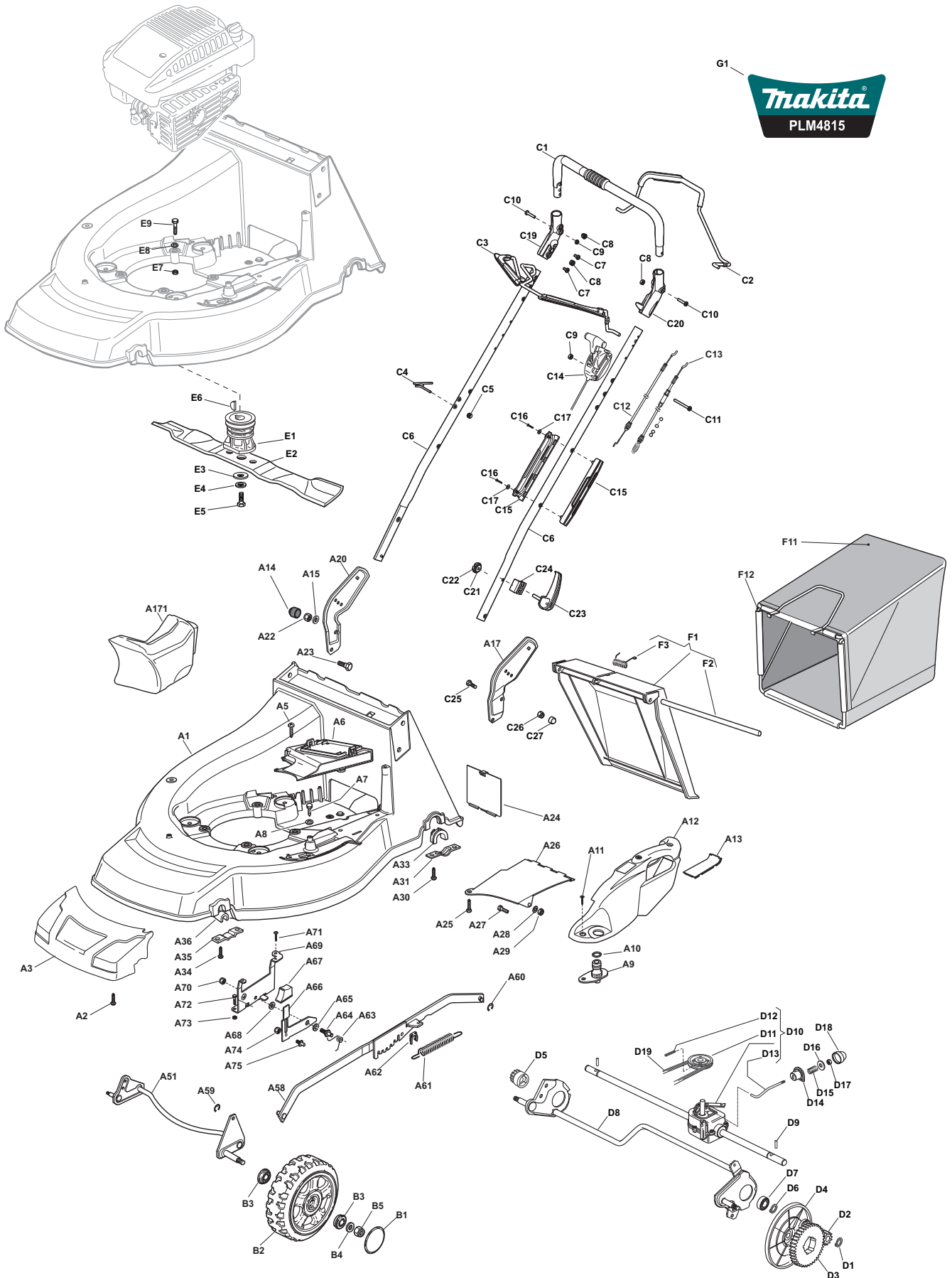
PLM4815  
PLM4815  
PLM4815  
PLM4815



| Seite / Page | Pos.     | PLM4815 | Teil-Nr.<br>Part No.<br>No. de pièce<br>No. de pieza | Hinweise<br>Notes<br>Renseign.<br>Nota | Bezeichnung                     | Spezifikation<br>Specification | Description                          | Désignation                      | Denominación              |
|--------------|----------|---------|--|--|---------------------------------|--------------------------------|--------------------------------------|----------------------------------|---------------------------|
| 1            | A1       | 1       | 664 003 515  |  | GEHÄUSE BLAU                    |                                | DECK BLUE                            | CHÂSSIS BLEU                     | CAJA AZUL                 |
| 1            | A10      | 1       | 664 035 000  |  | O-RING                          |                                | O-RING                               | O-RING                           | JUNTA TÓRICA              |
| 1            | A11      | 3       | 664 728 520  |  | SCHRAUBE                        |                                | SCREW                                | VIS                              | TORNILLO                  |
| 1            | A12      | 1       | 664 060 146  |  | GEHÄUSE                         |                                | DECK, ADJUSTMENT                     | CHÂSSIS REGLAGE                  | CARCASA, AJUSTE           |
| 1            | A13      | 1       | 664 546 070  |  | PLATTE                          |                                | PLATE                                | PLAQUETTE                        | PLANCHA                   |
| 1            | A14      | 2       | 664 203 854  |  | ABDECKKAPPE                     |                                | PROTECTION                           | CAPUCHON                         | CAPERUZA                  |
| 1            | A15      | 4       | 664 521 350  |  | SCHEIBE                         |                                | WASHER                               | RONDELLE                         | ARANDELA                  |
| 1            | A17      | 1       | 664 778 397  |  | HALTER, LINKS                   |                                | BRACKET, LEFT                        | BRIDE GAUCHE                     | SOPORTE, IZQ.             |
| 1            | A17<br>1 | 1       | 664 140 224  |  | MULCHEINSATZ                    |                                | MULCH PLUG                           | INSERT MULCH                     | TAPA                      |
| 1            | A2       | 4       | 664 735 420  |  | SCHRAUBE                        |                                | SCREW                                | VIS                              | TORNILLO                  |
| 1            | A20      | 1       | 664 778 396  |  | HALTER, RECHTS                  |                                | BRACKET, RIGHT                       | BRIDE DROITE                     | SOPORTE, DER.             |
| 1            | A22      | 2       | 664 155 000  |  | MUTTER                          |                                | NUT                                  | ECROU                            | TUERCA                    |
| 1            | A23      | 2       | 664 793 102  |  | SCHRAUBE                        |                                | SCREW                                | VIS                              | TORNILLO                  |
| 1            | A24      | 1       | 664 595 352  |  | ABDECKPLATTE                    |                                | INSPECTION DOOR                      | VOYANT DE VISITE                 | PUERTA DE INSPECCIÓN      |
| 1            | A25      | 1       | 664 729 600  |  | SCHRAUBE                        |                                | SCREW                                | VIS                              | TORNILLO                  |
| 1            | A26      | 1       | 664 108 205  |  | ABDECKBLECH                     |                                | PLATE                                | CONVOYEUR                        | PLANCHA PROTECTORA        |
| 1            | A27      | 1       | 664 789 000  |  | SCHRAUBE                        |                                | SCREW                                | VIS                              | TORNILLO                  |
| 1            | A28      | 1       | 664 523 020  |  | SCHEIBE                         |                                | WASHER                               | RONDELLE                         | ARANDELA                  |
| 1            | A29      | 1       | 664 154 330  |  | MUTTER                          |                                | NUT                                  | ECROU                            | TUERCA                    |
| 1            | A3       | 1       | 664 226 109  |  | MASKE                           |                                | MASK                                 | MESQUE                           | CARETA                    |
| 1            | A30      | 4       | 664 731 350  |  | SCHRAUBE                        |                                | SCREW                                | VIS                              | TORNILLO                  |
| 1            | A31      | 2       | 664 545 147  |  | PLATTE                          |                                | PLATE                                | PLAQUETTE                        | PLANCHA                   |
| 1            | A33      | 2       | 664 038 407  |  | BUCHSE                          |                                | BUSH                                 | DOUILLE                          | CASQUILLO                 |
| 1            | A34      | 4       | 664 731 350  |  | SCHRAUBE                        |                                | SCREW                                | VIS                              | TORNILLO                  |
| 1            | A35      | 2       | 664 545 156  |  | PLATTE                          |                                | PLATE                                | PLAQUETTE                        | PLANCHA                   |
| 1            | A36      | 2       | 664 038 400  |  | BUCHSE                          |                                | BUSH                                 | DOUILLE                          | CASQUILLO                 |
| 1            | A5       | 2       | 664 728 522  |  | SCHRAUBE                        |                                | SCREW                                | VIS                              | TORNILLO                  |
| 1            | A51      | 1       | 664 302 847  |  | ACHSE,<br>VORDERRAD             |                                | AXLE, FRONT<br>WHEELS                | AXE ROUES AVANT                  | EJE, RUEDAS<br>DELANTERAS |
| 1            | A58      | 1       | 664 002 039  |  | STANGE,<br>HÖHENVERSTELLUN<br>G |                                | ROD, HEIGHT<br>ADJUSTMENT<br>CONTROL | TIGE COMMANDE<br>REGLAGE HAUTEUR | VÁSTAGO, AJUSTE<br>ALTURA |
| 1            | A59      | 1       | 664 000 930  |  | SPRENGRING                      |                                | SAFETY WASHER                        | RONDELLE DE<br>SÉCURITÉ          | ANILLO DE<br>SEGURIDAD    |
| 1            | A6       | 1       | 664 060 221  |  | SCHUTZ                          |                                | PROTECTION                           | PROTECTION                       | PROTECCIÓN                |
| 1            | A60      | 1       | 664 000 930  |  | SPRENGRING                      |                                | SAFETY WASHER                        | RONDELLE DE<br>SÉCURITÉ          | ANILLO DE<br>SEGURIDAD    |
| 1            | A61      | 1       | 664 446 187  |  | FEDER                           |                                | SPRING                               | RESSORT                          | MUELLE                    |
| 1            | A62      | 1       | 664 436 050  |  | PLATTE                          |                                | PLATE                                | PLAQUE                           | PLACA                     |
| 1            | A63      | 1       | 664 446 176  |  | FEDER                           |                                | SPRING                               | RESSORT                          | RESORTE                   |
| 1            | A64      | 1       | 664 517 880  |  | BOLZEN                          |                                | PIN                                  | PIVOT                            | PIVOTE                    |
| 1            | A65      | 1       | 664 672 152  |  | SCHEIBE                         |                                | WASHER                               | RONDELLE                         | ARANDELA                  |
| 1            | A66      | 1       | 664 322 829  |  | HEBEL,<br>HÖHENVERSTELLUN<br>G  |                                | LEVER, HEIGHT<br>ADJUSTMENT          | LEVIER, REGLAGE<br>HAUTEUR       | PALANCA, AJUSTE<br>ALTURA |
| 1            | A67      | 1       | 664 602 000  |  | STEUERHEBEL,<br>DRUCK           |                                | PUSHBUTTON,<br>LEVER                 | BOUTON DE                        | PULSADOR,<br>PALANCA      |
| 1            | A68      | 1       | 664 672 151  |  | SCHEIBE                         |                                | WASHER                               | RONDELLE                         | ARANDELA                  |
| 1            | A69      | 1       | 664 785 115  |  | HALTER                          |                                | SUPPORT, HEIGHT                      | SUPPORT REGLAGE                  | SOPORTE, ALTURA           |
| 1            | A7       | 1       | 664 729 600  |  | SCHRAUBE                        |                                | SCREW                                | VIS                              | TORNILLO                  |
| 1            | A70      | 1       | 664 155 000  |  | MUTTER                          |                                | NUT                                  | ECROU                            | TUERCA                    |
| 1            | A71      | 1       | 664 729 600  |  | SCHRAUBE                        |                                | SCREW                                | VIS                              | TORNILLO                  |
| 1            | A72      | 2       | 664 793 101  |  | SCHRAUBE                        |                                | SCREW                                | VIS                              | TORNILLO                  |
| 1            | A73      | 2       | 664 293 201  |  | MUTTER                          |                                | NUT                                  | ECROU                            | TUERCA                    |
| 1            | A74      | 1       | 664 154 510  |  | MUTTER                          |                                | NUT                                  | ECROU                            | TUERCA                    |
| 1            | A75      | 1       | 664 519 746  |  | BOLZEN                          |                                | PIN                                  | PIVOT                            | PIVOTE                    |
| 1            | A8       | 2       | 664 523 040  |  | SCHEIBE                         |                                | WASHER                               | RONDELLE                         | ARANDELA                  |
| 1            | A9       | 1       | 664 034 000  |  | SCHLAUCHANSCHLU<br>SS           |                                | WASHING<br>CONNECTION                | ATTAQUE LAVAGE                   | RACOR DE<br>EMPALME       |
| 1            | B1       | 4       | 664 110 653  |  | RADKAPPE                        |                                | WHEEL COVER                          | CHAPEAU DE<br>MOYEU              | CAPERUZA DE<br>RUEDA      |



| Seite / Page | Pos. | PLM4815 | Teil-Nr.<br>Part No.<br>No. de pièce<br>No. de pieza | Hinweise<br>Notes<br>Renseign.<br>Nota | Bezeichnung                | Spezifikation<br>Specification | Description                             | Désignation                               | Denominación                                     |
|--------------|------|---------|--|--|----------------------------|--------------------------------|---|---|--|
| 1            | B2   | 4       | 664 007 409  |  | RAD                        | Ø 210                          | WHEEL                                   | ROUE                                      | RUEDA  |
| 1            | B3   | 8       | 664 216 035  |  | LAGER                      |                                | BEARING                                 | COUSSINET                                 | RODAMIENTO                                       |
| 1            | B4   | 4       | 664 521 350  |  | SCHLEIBE                   |                                | WASHER                                  | RONDELLE                                  | ARANDELA   |
| 1            | B5   | 4       | 664 155 000  |  | MUTTER                     |                                | NUT                                     | ECROU                                     | TUERCA   |
| 1            | C1   | 1       | 664 006 670  |  | HANDGRIFF                  |                                | HANDGRIP                                | POIGNÉE                                   | MANGO  |
| 1            | C10  | 2       | 664 728 721  |  | SCHRAUBE                   |                                | SCREW                                   | VIS                                       | TORNILLO   |
| 1            | C11  | 1       | 664 727 786  |  | SCHRAUBE                   |                                | SCREW                                   | VIS                                       | TORNILLO   |
| 1            | C12  | 1       | 664 030 077  |  | BOWDENZUG<br>(MOTORBREMSE) |                                | CONTROL CABLE<br>(MOTOR BRAKE)          | CÂBLE BOWDEN<br>(FREIN MOTEUR)            | TRACCIÓN BOWDEN<br>(FRENO MOTOR)                 |
| 1            | C13  | 1       | 664 030 078  |  | BOWDENZUG<br>(RADANTRIEB)  |                                | CONTROL CABLE<br>(WHEEL DRIVE)          | CÂBLE BOWDEN<br>(ENTRAÎNEMENT DE<br>ROUE) | TRACCIÓN BOWDEN<br>(TRACCIÓN DE<br>RUEDA)        |
| 1            | C14  | 1       | 664 007 145  |  | GASHEBEL MIT<br>BOWDENZUG  |                                | THROTTLE LEVER<br>WITH CONTROL<br>CABLE | ACCÉLÉRATEUR<br>AVEC CÂBLE<br>BOWDEN      | PALANCA DEL<br>ACELERADOR CON<br>TRACCIÓN BOWDEN |
| 1            | C15  | 2       | 664 806 644  |  | SCHUTZ                     |                                | PROTECTION                              | PROTECTION                                | PROTECTOR  |
| 1            | C16  | 2       | 664 727 812  |  | SCHRAUBE                   |                                | SCREW                                   | VIS                                       | TORNILLO   |
| 1            | C17  | 2       | 664 523 000  |  | SCHLEIBE                   |                                | WASHER                                  | RONDELLE                                  | ARANDELA   |
| 1            | C19  | 1       | 664 488 301  |  | HALTER, RECHTS             |                                | SUPPORT, R                              | SUPPORT D                                 | SOPORTE DER.                                     |
| 1            | C2   | 1       | 664 003 349  |  | HEBEL, ANTRIEB             |                                | LEVER, DRIVING                          | LEVIER TRACTION                           | PALANCA,<br>CONDUCCIÓN                           |
| 1            | C20  | 1       | 664 488 303  |  | HALTER, LINKS              |                                | SUPPORT, L                              | SUPPORT G                                 | SOPORTE, IZQ.                                    |
| 1            | C21  | 2       | 664 131 750  |  | MUTTER                     |                                | NUT                                     | ECROU                                     | TUERCA   |
| 1            | C22  | 2       | 664 399 835  |  | GRIFF                      |                                | GRIP                                    | POIGNÉE                                   | MANGO  |
| 1            | C23  | 2       | 664 003 253  |  | GRIFF                      |                                | HANDLE                                  | POIGNÉE                                   | MANGO  |
| 1            | C24  | 2       | 664 680 017  |  | HALTER                     |                                | SUPPORT                                 | SUPPORT                                   | SOPORTE  |
| 1            | C25  | 2       | 664 793 102  |  | SCHRAUBE                   |                                | SCREW                                   | VIS                                       | TORNILLO   |
| 1            | C26  | 2       | 664 155 000  |  | MUTTER                     |                                | NUT                                     | ECROU                                     | TUERCA   |
| 1            | C27  | 2       | 664 203 854  |  | ABDECKKAPPE                |                                | PROTECTION                              | CAPUCHON                                  | CAPERUZA   |
| 1            | C3   | 1       | 664 003 344  |  | HEBEL,<br>MOTORBREMSE      |                                | LEVER, MOTOR<br>BRAKE                   | LEVIER FREIN<br>MOTEUR                    | PALANCA, FRENO<br>MOTOR                          |
| 1            | C4   | 1       | 664 430 309  |  | FEDERFÜHRUNG               |                                | GUIDE SPRING                            | RESSORT DE GUIDE                          | RESORTE DE GUÍA                                  |
| 1            | C5   | 1       | 664 154 330  |  | MUTTER                     |                                | NUT                                     | ECROU                                     | TUERCA   |
| 1            | C6   | 2       | 664 007 046  |  | HOLM                       | BLACK                          | HANDLE                                  | MANCHERON                                 | MANILLAR   |
| 1            | C7   | 4       | 664 735 662  |  | SCHRAUBE                   |                                | SCREW                                   | VIS                                       | TORNILLO   |
| 1            | C8   | 4       | 664 041 967  |  | BUCHSE                     |                                | BUSH                                    | DOUILLE                                   | CASQUILLO  |
| 1            | C9   | 3       | 664 154 510  |  | MUTTER                     |                                | NUT                                     | ECROU                                     | TUERCA   |
| 1            | D1   | 2       | 664 608 600  |  | SICHERUNGSRING             |                                | SEEGER                                  | SEEGER                                    | ANILLO DE<br>SEGURIDAD                           |
| 1            | D10  | 1       | 664 003 079  |  | ANTRIEB                    | (FRANCE<br>REDUCTEURS)         | GEAR BOX                                | GROUPE TRACTION                           | UNIDAD DE<br>TRACCIÓN                            |
| 1            | D11  | 1       | 664 601 909  |  | RIEMENSCHLEIBE             |                                | PULLEY                                  | POULIE                                    | POLEA  |
| 1            | D12  | 1       | 664 645 705  |  | STIFT                      |                                | PIN                                     | GOUPILLE                                  | PASADOR  |
| 1            | D13  | 1       | 664 033 281  |  | VERSTELLHEBEL              |                                | ADJUSTMENT ROD                          | TIGE REGLAGE                              | VÁSTAGO DE<br>AJUSTE                             |
| 1            | D14  | 1       | 664 041 957  |  | BUCHSE                     |                                | BUSH                                    | DOUILLE                                   | CASQUILLO  |
| 1            | D15  | 1       | 664 450 063  |  | FEDER                      |                                | SPRING                                  | RESSORT                                   | RESORTE  |
| 1            | D16  | 1       | 664 680 009  |  | SCHLEIBE                   |                                | WASHER                                  | RONDELLE                                  | ARANDELA   |
| 1            | D17  | 1       | 664 154 510  |  | MUTTER                     |                                | NUT                                     | ECROU                                     | TUERCA   |
| 1            | D18  | 1       | 664 110 230  |  | NABENDECKEL                |                                | HUB COVER                               | COUVRE MOYEU                              | TAPACUBOS  |
| 1            | D19  | 1       | 664 064 195  |  | KEILRIEMEN                 | Z 33                           | BELT                                    | COURROIE                                  | CORREA   |
| 1            | D2   | 1       | 664 570 120  |  | RITZEL LINKS               |                                | PINION L                                | PIGNON G                                  | PIÑÓN, IZQ.                                      |
| 1            | D3   | 2       | 664 120 105  |  | ZAHNRAD                    |                                | RING GEAR                               | COURONNE                                  | CORONA DENTADA                                   |
| 1            | D4   | 2       | 664 600 218  |  | SCHUTZABDECKUNG            |                                | PROTECTION                              | PROTECTION                                | PROTECTOR  |
| 1            | D5   | 1       | 664 570 110  |  | RITZEL RECHTS              |                                | PINION RIGHT                            | PIGNON D                                  | PIÑÓN, DER.                                      |
| 1            | D6   | 2       | 664 608 600  |  | SICHERUNGSRING             |                                | SEEGER                                  | SEEGER                                    | ANILLO DE<br>SEGURIDAD                           |
| 1            | D7   | 2       | 664 216 035  |  | LAGER                      |                                | BEARING                                 | COUSSINET                                 | RODAMIENTO                                       |
| 1            | D8   | 1       | 664 302 845  |  | ACHSE, HINTERRAD           |                                | AXLE, REAR<br>WHEELS                    | AXE ROUES<br>ARRIERE                      | EJE, RUEDAS<br>TRASERAS                          |
| 1            | D9   | 2       | 664 753 000  |  | STIFT                      |                                | PIN                                     | GOUPILLE                                  | PASADOR  |
| 1            | E1   | 1       | 664 465 607  |  | MESSERHALTER               |                                | HUB                                     | MOYEU                                     | SOPORTE DE LA<br>CUCHILLA                        |





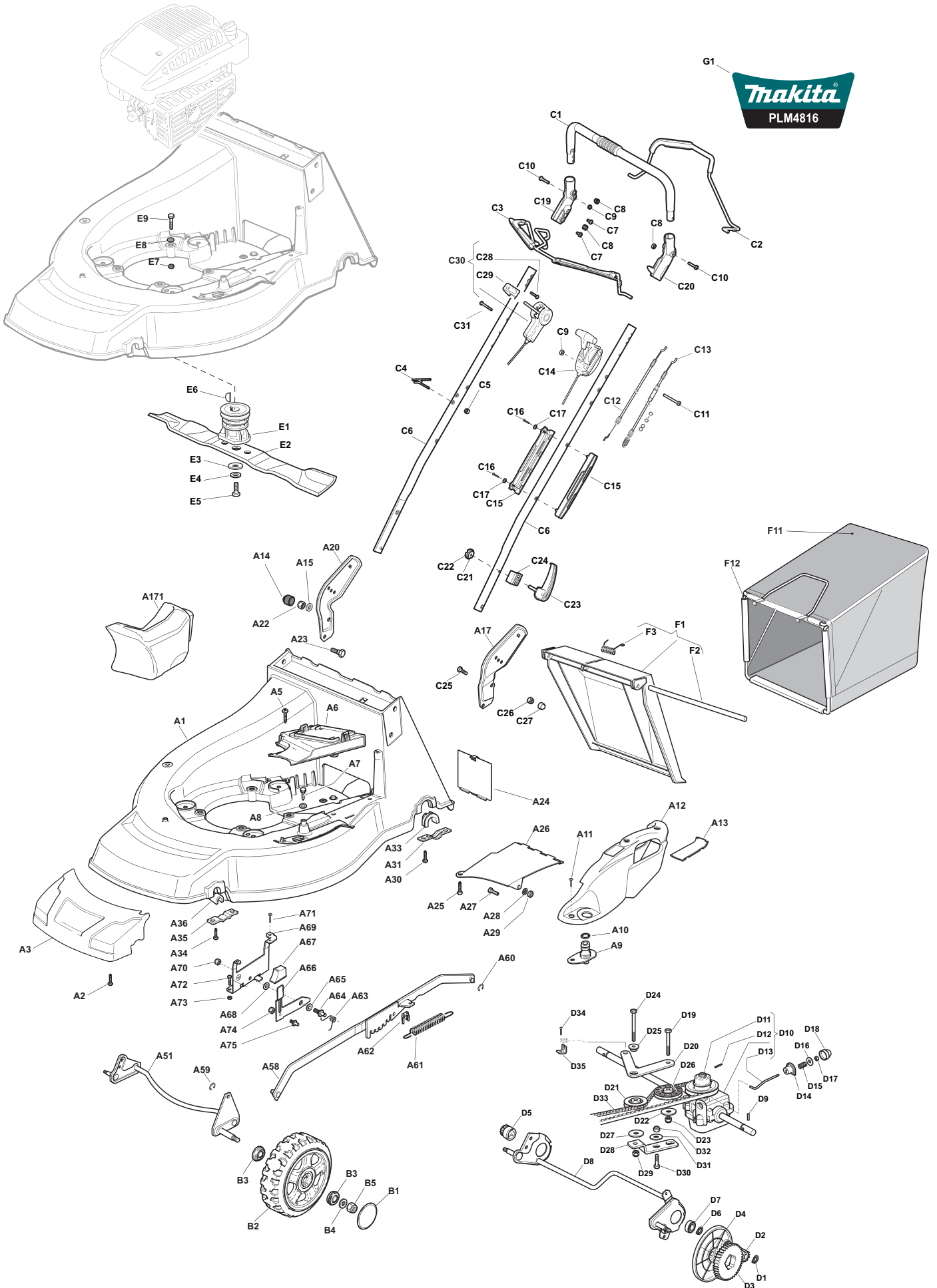
(2011) PLM4815, PLM4816,  
PLM5114, PLM5115

1

PLM4815  
PLM4815  
PLM4815  
PLM4815

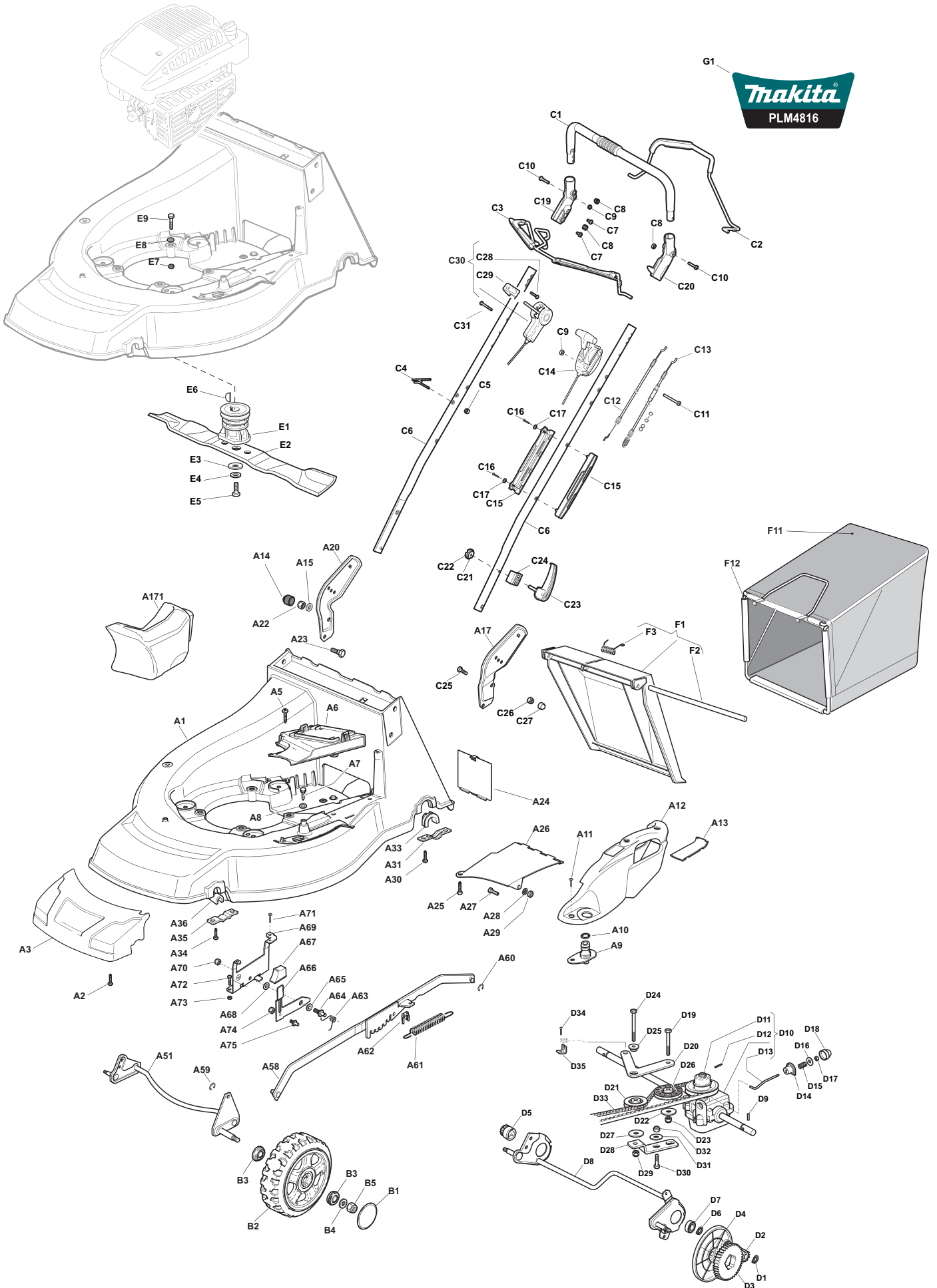


| Seite / Page | Pos. | PLM4815 | Teil-Nr.<br>Part No.<br>No. de pièce<br>No. de pieza | Hinweise<br>Notes<br>Renseign.<br>Nota | Bezeichnung  | Spezifikation<br>Specification | Description               | Désignation        | Denominación        |
|--------------|------|---------|--|--|--------------|--------------------------------|---------------------------|--------------------|---------------------|
| 1            | E2   | 1       | 664 004 366  |  | MULCHMESSER  |                                | BLADE (COLLECT AND MULCH) | LAME               | CUCHILLA ESTÁNDAR   |
| 1            | E3   | 1       | 664 160 400  |  | FEDERSCHEIBE |                                | ELASTIC WASHER            | RONDELLE ELASTIQUE | ARANDELA ELÁSTICA   |
| 1            | E4   | 1       | 664 523 080  |  | SCHEIBE      |                                | WASHER                    | RONDELLE           | ARANDELA            |
| 1            | E5   | 1       | 664 735 698  |  | SCHRAUBE     |                                | SCREW                     | VIS                | TORNILLO            |
| 1            | E6   | 1       | 664 139 100  |  | KEIL         |                                | KEY                       | CLAVETTE           | CHAVETA             |
| 1            | E7   | 3       | 664 155 000  |  | MUTTER       |                                | NUT                       | ECROU              | TUERCA              |
| 1            | E8   | 3       | 664 521 350  |  | SCHEIBE      |                                | WASHER                    | RONDELLE           | ARANDELA            |
| 1            | E9   | 1       | 664 692 080  |  | SCHRAUBE     |                                | SCREW                     | VIS                | TORNILLO            |
| 1            | E9   | 3       | 664 691 800  |  | SCHRAUBE     |                                | SCREW                     | VIS                | TORNILLO            |
| 1            | F1   | 1       | 664 008 114  |  | PRALLBLECH   |                                | STONE-GUARD               | PARE-PIERRES       | CUBIERTA PROTECTORA |
| 1            | F11  | 1       | 664 002 124  |  | SACK, TUCH   |                                | BOX, FABRIC               | SAC, TOILE         | CESTO, TELA         |
| 1            | F12  | 1       | 664 006 430  |  | RAHMEN       |                                | FRAME                     | CADRE              | MARCO               |
| 1            | F2   | 1       | 664 450 270  |  | FEDER        |                                | SPRING                    | RESSORT            | MUELLE              |
| 1            | F3   | 1       | 664 517 907  |  | BOLZEN       |                                | PIN                       | PIVOT              | PIVOTE              |
| 1            | G1   | 1       | 664 365 735  |  | SCHILD       | PLM4815                        | LABEL                     | PLAQUE             | CALCOMANIA          |

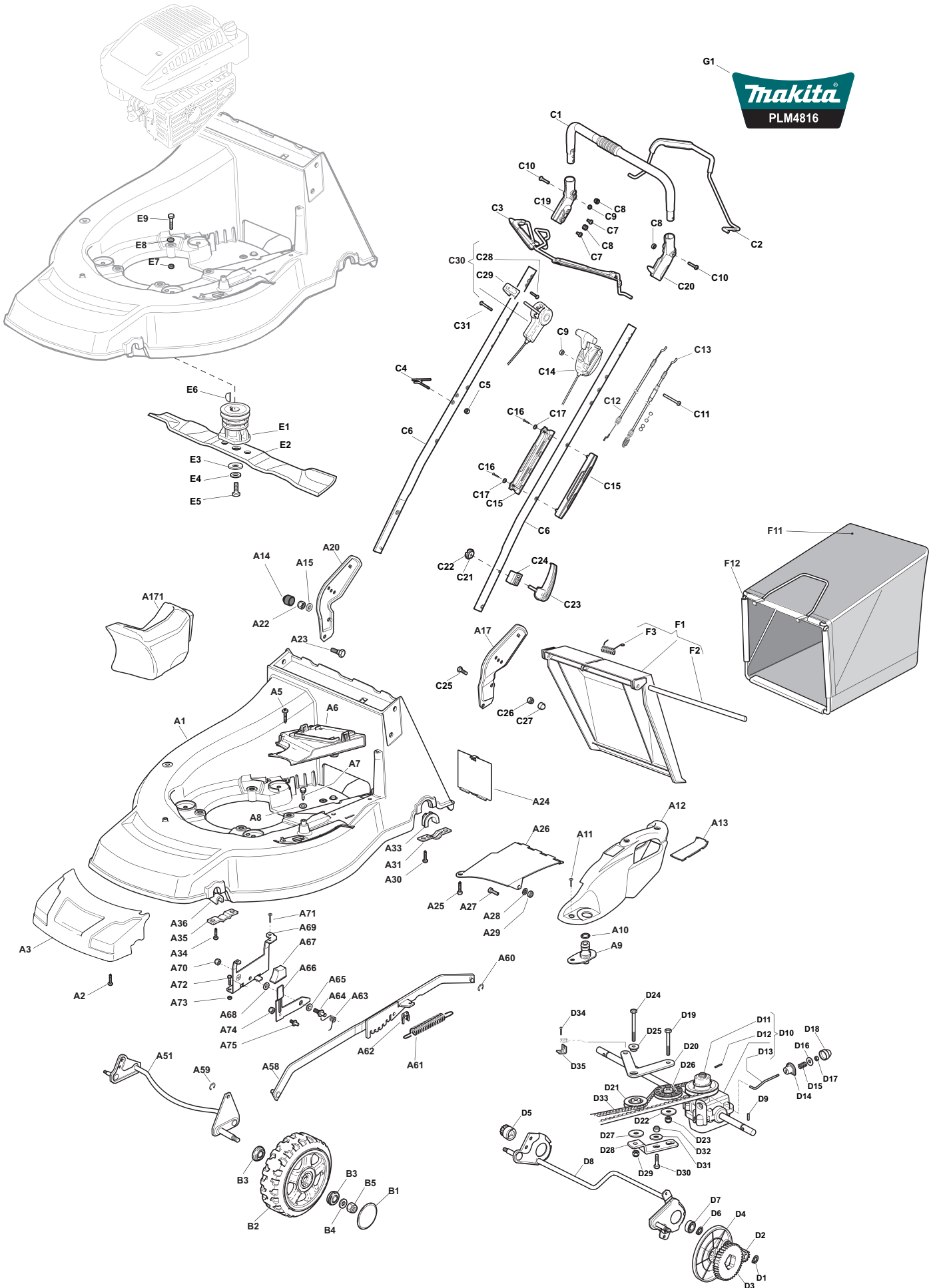




| Seite / Page | Pos.     | PLM4816 | Teil-Nr.<br>Part No.<br>No. de pièce<br>No. de pieza | Hinweise<br>Notes<br>Renseign.<br>Nota | Bezeichnung                     | Spezifikation<br>Specification | Description                          | Désignation                      | Denominación              |
|--------------|----------|---------|--|--|---------------------------------|--------------------------------|--------------------------------------|----------------------------------|---------------------------|
| 2            | A1       | 1       | 664 003 515  |  | GEHÄUSE BLAU                    |                                | DECK BLUE                            | CHÂSSIS BLEU                     | CAJA AZUL                 |
| 2            | A10      | 1       | 664 035 000  |  | O-RING                          |                                | O-RING                               | O-RING                           | JUNTA TÓRICA              |
| 2            | A11      | 3       | 664 728 520  |  | SCHRAUBE                        |                                | SCREW                                | VIS                              | TORNILLO                  |
| 2            | A12      | 1       | 664 060 146  |  | GEHÄUSE                         |                                | DECK, ADJUSTMENT                     | CHÂSSIS REGLAGE                  | CARCASA, AJUSTE           |
| 2            | A13      | 1       | 664 546 070  |  | PLATTE                          |                                | PLATE                                | PLAQUETTE                        | PLANCHA                   |
| 2            | A14      | 2       | 664 203 854  |  | ABDECKKAPPE                     |                                | PROTECTION                           | CAPUCHON                         | CAPERUZA                  |
| 2            | A15      | 4       | 664 521 350  |  | SCHEIBE                         |                                | WASHER                               | RONDELLE                         | ARANDELA                  |
| 2            | A17      | 1       | 664 778 397  |  | HALTER, LINKS                   |                                | BRACKET, LEFT                        | BRIDE GAUCHE                     | SOPORTE, IZQ.             |
| 2            | A17<br>1 | 1       | 664 140 224  |  | MULCHEINSATZ                    |                                | MULCH PLUG                           | INSERT MULCH                     | TAPA                      |
| 2            | A2       | 4       | 664 735 420  |  | SCHRAUBE                        |                                | SCREW                                | VIS                              | TORNILLO                  |
| 2            | A20      | 1       | 664 778 396  |  | HALTER, RECHTS                  |                                | BRACKET, RIGHT                       | BRIDE DROITE                     | SOPORTE, DER.             |
| 2            | A22      | 2       | 664 155 000  |  | MUTTER                          |                                | NUT                                  | ECROU                            | TUERCA                    |
| 2            | A23      | 2       | 664 793 102  |  | SCHRAUBE                        |                                | SCREW                                | VIS                              | TORNILLO                  |
| 2            | A24      | 1       | 664 595 352  |  | ABDECKPLATTE                    |                                | INSPECTION DOOR                      | VOYANT DE VISITE                 | PUERTA DE INSPECCIÓN      |
| 2            | A25      | 1       | 664 729 600  |  | SCHRAUBE                        |                                | SCREW                                | VIS                              | TORNILLO                  |
| 2            | A26      | 1       | 664 108 205  |  | ABDECKBLECH                     |                                | PLATE                                | CONVOYEUR                        | PLANCHA PROTECTORA        |
| 2            | A27      | 1       | 664 789 000  |  | SCHRAUBE                        |                                | SCREW                                | VIS                              | TORNILLO                  |
| 2            | A28      | 1       | 664 523 020  |  | SCHEIBE                         |                                | WASHER                               | RONDELLE                         | ARANDELA                  |
| 2            | A29      | 1       | 664 154 330  |  | MUTTER                          |                                | NUT                                  | ECROU                            | TUERCA                    |
| 2            | A3       | 1       | 664 226 109  |  | MASKE                           |                                | MASK                                 | MESQUE                           | CARETA                    |
| 2            | A30      | 4       | 664 731 350  |  | SCHRAUBE                        |                                | SCREW                                | VIS                              | TORNILLO                  |
| 2            | A31      | 2       | 664 545 147  |  | PLATTE                          |                                | PLATE                                | PLAQUETTE                        | PLANCHA                   |
| 2            | A33      | 2       | 664 038 407  |  | BUCHSE                          |                                | BUSH                                 | DOUILLE                          | CASQUILLO                 |
| 2            | A34      | 4       | 664 731 350  |  | SCHRAUBE                        |                                | SCREW                                | VIS                              | TORNILLO                  |
| 2            | A35      | 2       | 664 545 156  |  | PLATTE                          |                                | PLATE                                | PLAQUETTE                        | PLANCHA                   |
| 2            | A36      | 2       | 664 038 400  |  | BUCHSE                          |                                | BUSH                                 | DOUILLE                          | CASQUILLO                 |
| 2            | A5       | 2       | 664 728 522  |  | SCHRAUBE                        |                                | SCREW                                | VIS                              | TORNILLO                  |
| 2            | A51      | 1       | 664 302 847  |  | ACHSE,<br>VORDERRAD             |                                | AXLE, FRONT<br>WHEELS                | AXE ROUES AVANT                  | EJE, RUEDAS<br>DELANTERAS |
| 2            | A58      | 1       | 664 002 039  |  | STANGE,<br>HÖHENVERSTELLUN<br>G |                                | ROD, HEIGHT<br>ADJUSTMENT<br>CONTROL | TIGE COMMANDE<br>REGLAGE HAUTEUR | VÁSTAGO, AJUSTE<br>ALTURA |
| 2            | A59      | 1       | 664 000 930  |  | SPRENGRING                      |                                | SAFETY WASHER                        | RONDELLE DE<br>SÉCURITÉ          | ANILLO DE<br>SEGURIDAD    |
| 2            | A6       | 1       | 664 060 221  |  | SCHUTZ                          |                                | PROTECTION                           | PROTECTION                       | PROTECCIÓN                |
| 2            | A60      | 1       | 664 000 930  |  | SPRENGRING                      |                                | SAFETY WASHER                        | RONDELLE DE<br>SÉCURITÉ          | ANILLO DE<br>SEGURIDAD    |
| 2            | A61      | 1       | 664 446 187  |  | FEDER                           |                                | SPRING                               | RESSORT                          | MUELLE                    |
| 2            | A62      | 1       | 664 436 050  |  | PLATTE                          |                                | PLATE                                | PLAQUE                           | PLACA                     |
| 2            | A63      | 1       | 664 446 176  |  | FEDER                           |                                | SPRING                               | RESSORT                          | RESORTE                   |
| 2            | A64      | 1       | 664 517 880  |  | BOLZEN                          |                                | PIN                                  | PIVOT                            | PIVOTE                    |
| 2            | A65      | 1       | 664 672 152  |  | SCHEIBE                         |                                | WASHER                               | RONDELLE                         | ARANDELA                  |
| 2            | A66      | 1       | 664 322 829  |  | HEBEL,<br>HÖHENVERSTELLUN<br>G  |                                | LEVER, HEIGHT<br>ADJUSTMENT          | LEVIER, REGLAGE<br>HAUTEUR       | PALANCA, AJUSTE<br>ALTURA |
| 2            | A67      | 1       | 664 602 000  |  | STEUERHEBEL,<br>DRUCK           |                                | PUSHBUTTON,<br>LEVER                 | BOUTON DE                        | PULSADOR,<br>PALANCA      |
| 2            | A68      | 1       | 664 672 151  |  | SCHEIBE                         |                                | WASHER                               | RONDELLE                         | ARANDELA                  |
| 2            | A69      | 1       | 664 785 115  |  | HALTER                          |                                | SUPPORT, HEIGHT                      | SUPPORT REGLAGE                  | SOPORTE, ALTURA           |
| 2            | A7       | 1       | 664 729 600  |  | SCHRAUBE                        |                                | SCREW                                | VIS                              | TORNILLO                  |
| 2            | A70      | 1       | 664 155 000  |  | MUTTER                          |                                | NUT                                  | ECROU                            | TUERCA                    |
| 2            | A71      | 1       | 664 729 600  |  | SCHRAUBE                        |                                | SCREW                                | VIS                              | TORNILLO                  |
| 2            | A72      | 2       | 664 793 101  |  | SCHRAUBE                        |                                | SCREW                                | VIS                              | TORNILLO                  |
| 2            | A73      | 2       | 664 293 201  |  | MUTTER                          |                                | NUT                                  | ECROU                            | TUERCA                    |
| 2            | A74      | 1       | 664 154 510  |  | MUTTER                          |                                | NUT                                  | ECROU                            | TUERCA                    |
| 2            | A75      | 1       | 664 519 746  |  | BOLZEN                          |                                | PIN                                  | PIVOT                            | PIVOTE                    |
| 2            | A8       | 2       | 664 523 040  |  | SCHEIBE                         |                                | WASHER                               | RONDELLE                         | ARANDELA                  |
| 2            | A9       | 1       | 664 034 000  |  | SCHLAUCHANSCHLU<br>SS           |                                | WASHING<br>CONNECTION                | ATTAQUE LAVAGE                   | RACOR DE<br>EMPALME       |
| 2            | B1       | 4       | 664 110 653  |  | RADKAPPE                        |                                | WHEEL COVER                          | CHAPEAU DE<br>MOYEU              | CAPERUZA DE<br>RUEDA      |

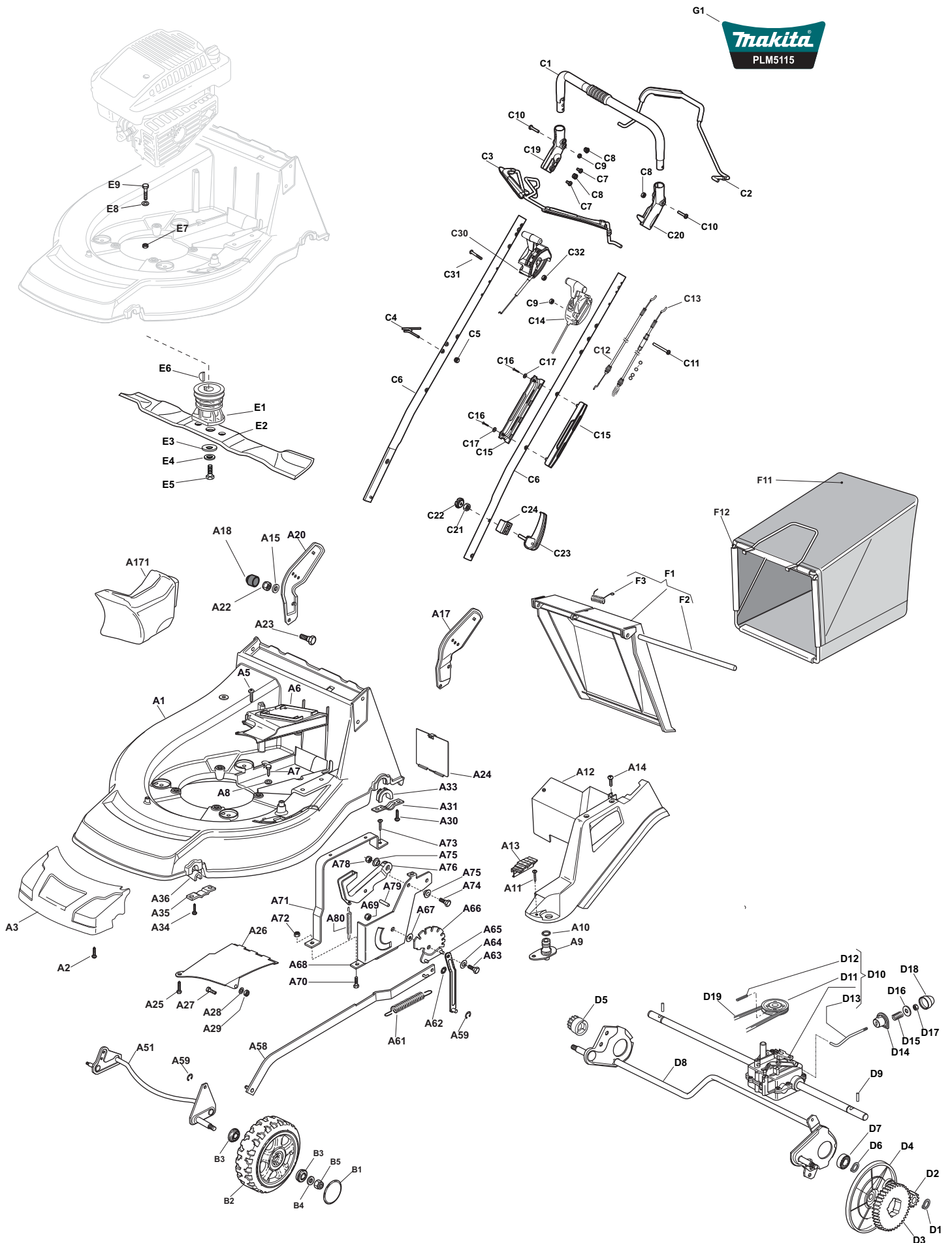


| Seite / Page | Pos. | PLM4816 | Teil-Nr.<br>Part No.<br>No. de pièce<br>No. de pieza | Hinweise<br>Notes<br>Renseign.<br>Nota | Bezeichnung                 | Spezifikation<br>Specification | Description                              | Désignation                                     | Denominación                                     |
|--------------|------|---------|--|--|-----------------------------|--------------------------------|--|---|--|
| 2            | B2   | 4       | 664 007 409  |  | RAD                         | Ø 210                          | WHEEL                                    | ROUE  | RUEDA  |
| 2            | B3   | 8       | 664 216 035  |  | LAGER                       |                                | BEARING                                  | COUSSINET                                       | RODAMIENTO                                       |
| 2            | B4   | 4       | 664 521 350  |  | SCHEIBE                     |                                | WASHER                                   | RONDELLE  | ARANDELA   |
| 2            | B5   | 4       | 664 155 000  |  | MUTTER                      |                                | NUT                                      | ECROU   | TUERCA   |
| 2            | C1   | 1       | 664 006 670  |  | HANDGRIFF                   |                                | HANDGRIP                                 | POIGNÉE   | MANGO  |
| 2            | C10  | 2       | 664 728 721  |  | SCHRAUBE                    |                                | SCREW                                    | VIS   | TORNILLO   |
| 2            | C11  | 1       | 664 727 786  |  | SCHRAUBE                    |                                | SCREW                                    | VIS   | TORNILLO   |
| 2            | C12  | 1       | 664 030 077  |  | BOWDENZUG<br>(MOTORBREMSE)  |                                | CONTROL CABLE<br>(MOTOR BRAKE)           | CÂBLE BOWDEN<br>(FREIN MOTEUR)                  | TRACCIÓN BOWDEN<br>(FRENO MOTOR)                 |
| 2            | C13  | 1       | 664 030 078  |  | BOWDENZUG<br>(RADANTRIEB)   |                                | CONTROL CABLE<br>(WHEEL DRIVE)           | CÂBLE BOWDEN<br>(ENTRAÎNEMENT DE<br>ROUE)       | TRACCIÓN BOWDEN<br>(TRACCIÓN DE<br>RUEDA)        |
| 2            | C14  | 1       | 664 007 199  |  | GASHEBEL MIT<br>BOWDENZUG   |                                | THROTTLE LEVER<br>WITH CONTROL<br>CABLE  | ACCÉLÉRATEUR<br>AVEC CÂBLE<br>BOWDEN            | PALANCA DEL<br>ACELERADOR CON<br>TRACCIÓN BOWDEN |
| 2            | C15  | 2       | 664 806 644  |  | SCHUTZ                      |                                | PROTECTION                               | PROTECTION                                      | PROTECTOR  |
| 2            | C16  | 2       | 664 727 812  |  | SCHRAUBE                    |                                | SCREW                                    | VIS   | TORNILLO   |
| 2            | C17  | 2       | 664 523 000  |  | SCHEIBE                     |                                | WASHER                                   | RONDELLE  | ARANDELA   |
| 2            | C19  | 1       | 664 488 301  |  | HALTER, RECHTS              |                                | SUPPORT, R                               | SUPPORT D                                       | SOPORTE DER.                                     |
| 2            | C2   | 1       | 664 003 349  |  | HEBEL, ANTRIEB              |                                | LEVER, DRIVING                           | LEVIER TRACTION                                 | PALANCA,<br>CONDUCCIÓN                           |
| 2            | C20  | 1       | 664 488 303  |  | HALTER, LINKS               |                                | SUPPORT, L                               | SUPPORT G                                       | SOPORTE, IZQ.                                    |
| 2            | C21  | 2       | 664 131 750  |  | MUTTER                      |                                | NUT                                      | ECROU   | TUERCA   |
| 2            | C22  | 2       | 664 399 835  |  | GRIFF                       |                                | GRIP                                     | POIGNÉE   | MANGO  |
| 2            | C23  | 2       | 664 003 253  |  | GRIFF                       |                                | HANDLE                                   | POIGNÉE   | MANGO  |
| 2            | C24  | 2       | 664 680 017  |  | HALTER                      |                                | SUPPORT                                  | SUPPORT   | SOPORTE  |
| 2            | C25  | 2       | 664 793 102  |  | SCHRAUBE                    |                                | SCREW                                    | VIS   | TORNILLO   |
| 2            | C26  | 2       | 664 155 000  |  | MUTTER                      |                                | NUT                                      | ECROU   | TUERCA   |
| 2            | C27  | 2       | 664 203 854  |  | ABDECKKAPPE                 |                                | PROTECTION                               | CAPUCHON  | CAPERUZA   |
| 2            | C28  | 2       | 664 728 300  |  | SCHRAUBE                    |                                | SCREW                                    | VIS   | TORNILLO   |
| 2            | C29  | 1       | 664 399 820  |  | GRIFF                       |                                | KNOB                                     | POIGNÉE   | MANETA   |
| 2            | C3   | 1       | 664 003 344  |  | HEBEL,<br>MOTORBREMSE       |                                | LEVER, MOTOR<br>BRAKE                    | LEVIER FREIN<br>MOTEUR                          | PALANCA, FRENO<br>MOTOR                          |
| 2            | C30  | 1       | 664 007 189  |  | BOWDENZUG,<br>GANGSCHALTUNG |                                | CONTROL CABLE,<br>SPEED DRIVE<br>CONTROL | CÂBLE BOWDEN,<br>COMM.<br>CHANGEMENT<br>VITESSE | TRACCIÓN BOWDEN<br>CAJA DE CAMBIOS               |
| 2            | C31  | 2       | 664 728 536  |  | SCHRAUBE                    |                                | SCREW                                    | VIS   | TORNILLO   |
| 2            | C4   | 1       | 664 430 309  |  | FEDERFÜHRUNG                |                                | GUIDE SPRING                             | RESSORT DE GUIDE                                | RESORTE DE GUÍA                                  |
| 2            | C5   | 1       | 664 154 330  |  | MUTTER                      |                                | NUT                                      | ECROU   | TUERCA   |
| 2            | C6   | 2       | 664 007 046  |  | HOLM                        | BLACK                          | HANDLE                                   | MANCHERON                                       | MANILLAR   |
| 2            | C7   | 4       | 664 735 662  |  | SCHRAUBE                    |                                | SCREW                                    | VIS   | TORNILLO   |
| 2            | C8   | 4       | 664 041 967  |  | BUCHSE                      |                                | BUSH                                     | DOUILLE   | CASQUILLO  |
| 2            | C9   | 3       | 664 154 510  |  | MUTTER                      |                                | NUT                                      | ECROU   | TUERCA   |
| 2            | D1   | 2       | 664 608 600  |  | SICHERUNGSRING              |                                | SEEGER                                   | SEEGER  | ANILLO DE<br>SEGURIDAD                           |
| 2            | D10  | 1       | 664 999 097  |  | ANTRIEB                     | (FRANCE<br>REDUCTEURS)         | GEAR BOX                                 | GROUPE TRACTION                                 | UNIDAD DE<br>TRACCIÓN                            |
| 2            | D11  | 1       | 664 601 925  |  | RIEMENSCHLEIBE              |                                | PULLEY                                   | POULIE À GORGE<br>POUR COURROIE                 | DISCO DE LA<br>CORREA                            |
| 2            | D12  | 1       | 664 645 705  |  | STIFT                       |                                | PIN                                      | GOUILLE   | PASADOR  |
| 2            | D13  | 1       | 664 033 286  |  | VERSTELLHEBEL               |                                | ADJUSTMENT ROD                           | TIGE REGLAGE                                    | VÁSTAGO DE<br>AJUSTE                             |
| 2            | D14  | 1       | 664 041 957  |  | BUCHSE                      |                                | BUSH                                     | DOUILLE   | CASQUILLO  |
| 2            | D15  | 1       | 664 450 063  |  | FEDER                       |                                | SPRING                                   | RESSORT   | RESORTE  |
| 2            | D16  | 1       | 664 680 009  |  | SCHEIBE                     |                                | WASHER                                   | RONDELLE  | ARANDELA   |
| 2            | D17  | 1       | 664 154 510  |  | MUTTER                      |                                | NUT                                      | ECROU   | TUERCA   |
| 2            | D18  | 1       | 664 110 230  |  | NABENDECKEL                 |                                | HUB COVER                                | COUVRE MOYEU                                    | TAPACUBOS  |
| 2            | D19  | 1       | 664 674 701  |  | SCHRAUBE                    |                                | SCREW                                    | VIS   | TORNILLO   |
| 2            | D2   | 1       | 664 570 120  |  | RITZEL LINKS                |                                | PINION L                                 | PIGNON G  | PIÑÓN, IZQ.                                      |
| 2            | D20  | 1       | 664 320 005  |  | HEBEL                       |                                | LEVER                                    | LEVIER  | PALANCA  |
| 2            | D21  | 1       | 664 601 915  |  | RIEMENSCHLEIBE              |                                | PULLEY                                   | POULIE  | POLEA  |
| 2            | D22  | 1       | 664 523 050  |  | SCHEIBE                     |                                | WASHER                                   | RONDELLE  | ARANDELA   |
| 2            | D23  | 1       | 664 154 510  |  | MUTTER                      |                                | NUT                                      | ECROU   | TUERCA   |



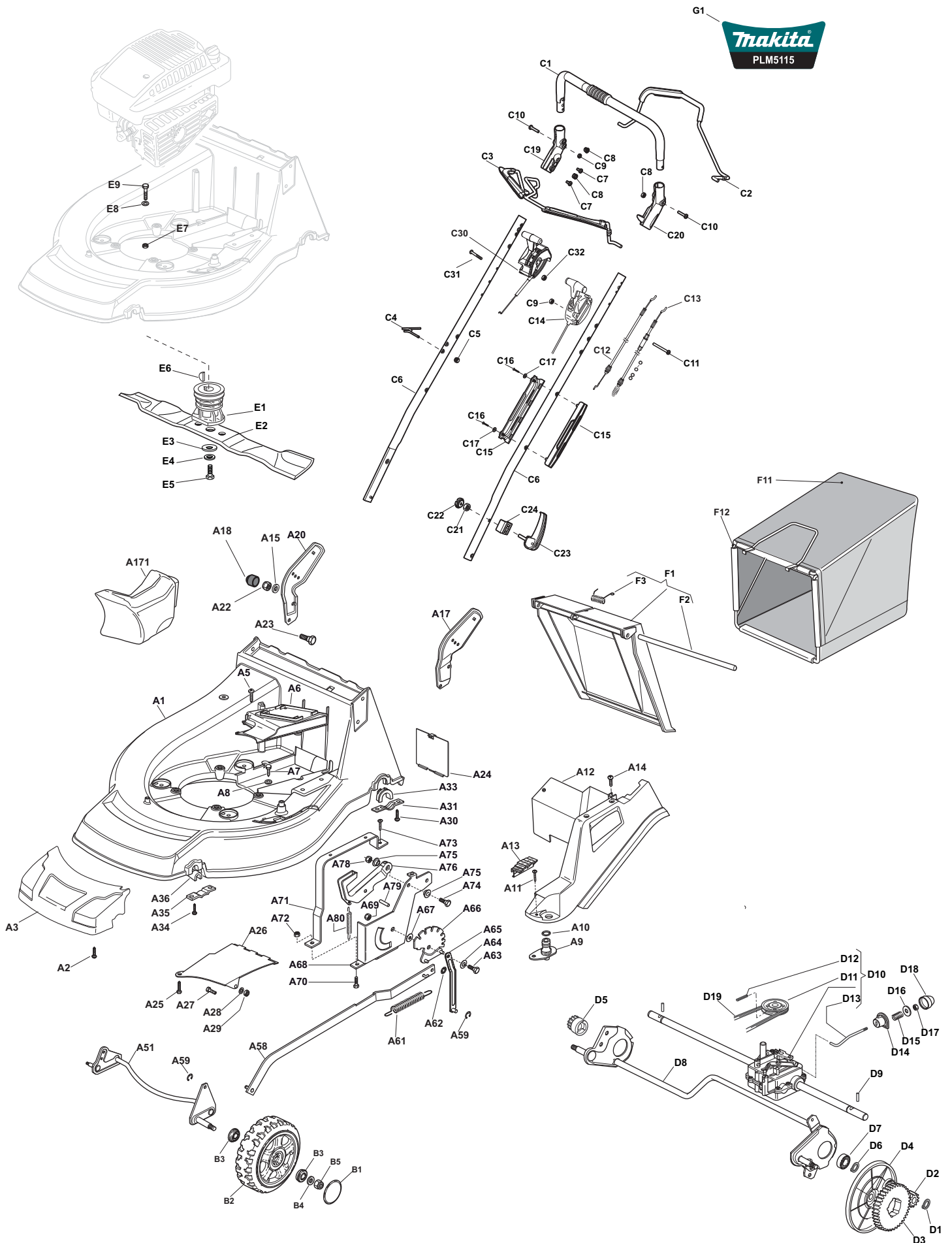
| Seite / Page | Pos. | PLM4816 | Teil-Nr.<br>Part No.<br>No. de pièce<br>No. de pieza | Hinweise<br>Notes<br>Renseign.<br>Nota | Bezeichnung      | Spezifikation<br>Specification | Description               | Désignation        | Denominación           |
|--------------|------|---------|--|--|------------------|--------------------------------|---------------------------|--------------------|------------------------|
| 2            | D24  | 1       | 664 689 500  |  | SCHRAUBE         |                                | SCREW                     | VIS                | TORNILLO               |
| 2            | D25  | 1       | 664 671 656  |  | SCHEIBE          |                                | WASHER                    | RONDELLE           | ARANDELA               |
| 2            | D26  | 1       | 664 601 914  |  | RIEMENSCHLEIBE   |                                | PULLEY                    | POULIE             | POLEA                  |
| 2            | D27  | 1       | 664 523 050  |  | SCHEIBE          |                                | WASHER                    | RONDELLE           | ARANDELA               |
| 2            | D28  | 1       | 664 806 627  |  | HALTER           |                                | SUPPORT                   | SUPPORT            | SOPORTE                |
| 2            | D29  | 1       | 664 154 510  |  | MUTTER           |                                | NUT                       | ECROU              | TUERCA                 |
| 2            | D3   | 2       | 664 120 105  |  | ZAHNRAD          |                                | RING GEAR                 | COURONNE           | CORONA DENTADA         |
| 2            | D30  | 1       | 664 791 011  |  | SCHRAUBE         |                                | SCREW                     | VIS                | TORNILLO               |
| 2            | D31  | 1       | 664 523 040  |  | SCHEIBE          |                                | WASHER                    | RONDELLE           | ARANDELA               |
| 2            | D32  | 1       | 664 154 510  |  | MUTTER           |                                | NUT                       | ECROU              | TUERCA                 |
| 2            | D33  | 1       | 664 064 390  |  | RIEMEN           |                                | BELT                      | COURROIE           | CORREA                 |
| 2            | D34  | 1       | 664 729 601  |  | SCHRAUBE         |                                | SCREW                     | VIS                | TORNILLO               |
| 2            | D35  | 1       | 664 806 619  |  | HALTER           |                                | SUPPORT                   | SUPPORT            | SOPORTE                |
| 2            | D4   | 2       | 664 600 218  |  | SCHUTZABDECKUNG  |                                | PROTECTION                | PROTECTION         | PROTECTOR              |
| 2            | D5   | 1       | 664 570 110  |  | RITZEL RECHTS    |                                | PINION RIGHT              | PIGNON D           | PIÑÓN, DER.            |
| 2            | D6   | 2       | 664 608 600  |  | SICHERUNGSRING   |                                | SEEGER                    | SEEGER             | ANILLO DE SEGURIDAD    |
| 2            | D7   | 2       | 664 216 035  |  | LAGER            |                                | BEARING                   | COUSSINET          | RODAMIENTO             |
| 2            | D8   | 1       | 664 302 845  |  | ACHSE, HINTERRAD |                                | AXLE, REAR WHEELS         | AXE ROUES ARRIERE  | EJE, RUEDAS TRASERAS   |
| 2            | D9   | 2       | 664 753 000  |  | STIFT            |                                | PIN                       | GOUILLE            | PASADOR                |
| 2            | E1   | 1       | 664 465 608  |  | MESSERHALTER     |                                | HUB WITH PULLEY           | MOYEU AVEC POULIE  | SOPORTE DE LA CUCHILLA |
| 2            | E2   | 1       | 664 004 366  |  | MULCHMESSER      |                                | BLADE (COLLECT AND MULCH) | LAME               | CUCHILLA ESTÁNDAR      |
| 2            | E3   | 1       | 664 160 400  |  | FEDERSCHLEIBE    |                                | ELASTIC WASHER            | RONDELLE ELASTIQUE | ARANDELA ELÁSTICA      |
| 2            | E4   | 1       | 664 523 080  |  | SCHEIBE          |                                | WASHER                    | RONDELLE           | ARANDELA               |
| 2            | E5   | 1       | 664 735 698  |  | SCHRAUBE         |                                | SCREW                     | VIS                | TORNILLO               |
| 2            | E6   | 1       | 664 139 150  |  | KEIL             |                                | FEATHER                   | CLAVETTE           | CHAVETA                |
| 2            | E7   | 3       | 664 155 000  |  | MUTTER           |                                | NUT                       | ECROU              | TUERCA                 |
| 2            | E8   | 3       | 664 521 350  |  | SCHEIBE          |                                | WASHER                    | RONDELLE           | ARANDELA               |
| 2            | E9   | 3       | 664 735 108  |  | SCHRAUBE         |                                | SCREW                     | VIS                | TORNILLO               |
| 2            | F1   | 1       | 664 008 114  |  | PRALLBLECH       |                                | STONE-GUARD               | PARE-PIERRES       | CUBIERTA PROTECTORA    |
| 2            | F11  | 1       | 664 002 124  |  | SACK, TUCH       |                                | BOX, FABRIC               | SAC, TOILE         | CESTO, TELA            |
| 2            | F12  | 1       | 664 006 430  |  | RAHMEN           |                                | FRAME                     | CADRE              | MARCO                  |
| 2            | F2   | 1       | 664 450 270  |  | FEDER            |                                | SPRING                    | RESSORT            | MUELLE                 |
| 2            | F3   | 1       | 664 517 907  |  | BOLZEN           |                                | PIN                       | PIVOT              | PIVOTE                 |
| 2            | G1   | 1       | 664 365 736  |  | SCHILD           | PLM4816                        | LABEL                     | PLAQUE             | CALCOMANIA             |



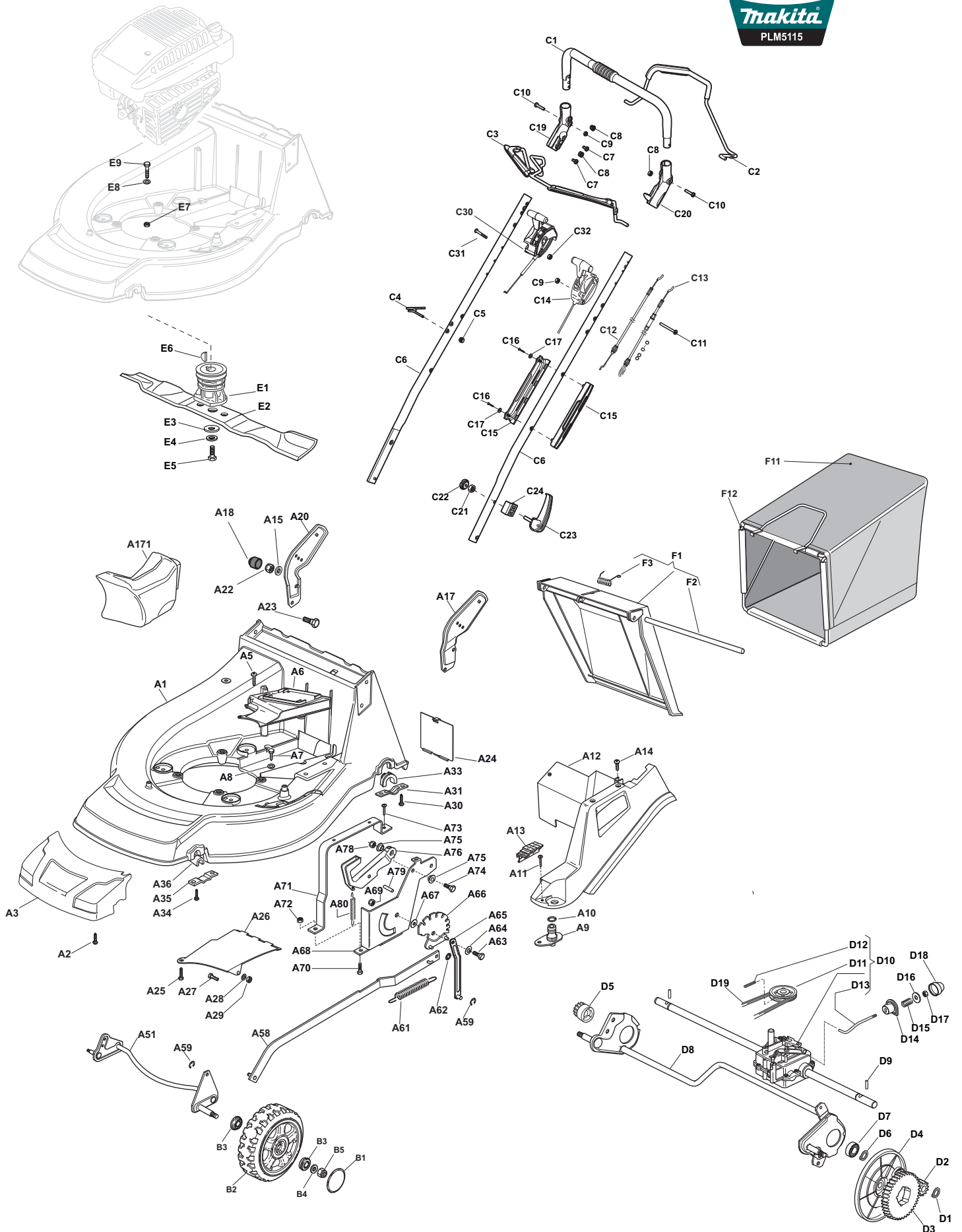




| Seite / Page | Pos.     | PLM5115 | Teil-Nr.<br>Part No.<br>No. de pièce<br>No. de pieza | Hinweise<br>Notes<br>Renseign.<br>Nota | Bezeichnung                 | Spezifikation<br>Specification | Description                          | Désignation                      | Denominación                       |
|--------------|----------|---------|--|--|-----------------------------|--------------------------------|--------------------------------------|----------------------------------|------------------------------------|
| 3            | A1       | 1       | 664 003 516  |  | GEHÄUSE BLAU                |                                | DECK BLUE                            | CHÂSSIS BLEU                     | CAJA AZUL                          |
| 3            | A10      | 1       | 664 035 000  |  | O-RING                      |                                | O-RING                               | O-RING                           | JUNTA TÓRICA                       |
| 3            | A11      | 3       | 664 728 519  |  | SCHRAUBE                    |                                | SCREW                                | VIS                              | TORNILLO                           |
| 3            | A12      | 1       | 664 060 144  |  | GEHÄUSE                     |                                | DECK, ADJUSTMENT                     | CHÂSSIS REGLAGE                  | CARCASA, AJUSTE                    |
| 3            | A13      | 1       | 664 570 200  |  | PLATTE,<br>HÖHENVERSTELLUNG |                                | PLATE, CUTTING<br>POSITIONS          | PLAQUETTE<br>REGLAGE             | PLANCHA,<br>POSICIONES DE<br>CORTE |
| 3            | A14      | 1       | 664 728 520  |  | SCHRAUBE                    |                                | SCREW                                | VIS                              | TORNILLO                           |
| 3            | A15      | 2       | 664 521 350  |  | SCHEIBE                     |                                | WASHER                               | RONDELLE                         | ARANDELA                           |
| 3            | A17      | 1       | 664 778 397  |  | HALTER, LINKS               |                                | BRACKET, LEFT                        | BRIDE GAUCHE                     | SOPORTE, IZQ.                      |
| 3            | A17<br>1 | 1       | 664 140 224  |  | MULCHEINSATZ                |                                | MULCH PLUG                           | INSERT MULCH                     | TAPA                               |
| 3            | A18      | 2       | 664 203 854  |  | ABDECKKAPPE                 |                                | PROTECTION                           | CAPUCHON                         | CAPERUZA                           |
| 3            | A2       | 4       | 664 735 420  |  | SCHRAUBE                    |                                | SCREW                                | VIS                              | TORNILLO                           |
| 3            | A20      | 1       | 664 778 396  |  | HALTER, RECHTS              |                                | BRACKET, RIGHT                       | BRIDE DROITE                     | SOPORTE, DER.                      |
| 3            | A22      | 2       | 664 155 000  |  | MUTTER                      |                                | NUT                                  | ECROU                            | TUERCA                             |
| 3            | A23      | 2       | 664 793 102  |  | SCHRAUBE                    |                                | SCREW                                | VIS                              | TORNILLO                           |
| 3            | A24      | 1       | 664 595 352  |  | ABDECKPLATTE                |                                | INSPECTION DOOR                      | VOYANT DE VISITE                 | PUERTA DE<br>INSPECCIÓN            |
| 3            | A25      | 1       | 664 729 600  |  | SCHRAUBE                    |                                | SCREW                                | VIS                              | TORNILLO                           |
| 3            | A26      | 1       | 664 108 205  |  | ABDECKBLECH                 |                                | PLATE                                | CONVOYEUR                        | PLANCHA<br>PROTECTORA              |
| 3            | A27      | 1       | 664 789 000  |  | SCHRAUBE                    |                                | SCREW                                | VIS                              | TORNILLO                           |
| 3            | A28      | 1       | 664 523 020  |  | SCHEIBE                     |                                | WASHER                               | RONDELLE                         | ARANDELA                           |
| 3            | A29      | 1       | 664 154 330  |  | MUTTER                      |                                | NUT                                  | ECROU                            | TUERCA                             |
| 3            | A3       | 1       | 664 226 109  |  | MASKE                       |                                | MASK                                 | MESQUE                           | CARETA                             |
| 3            | A30      | 4       | 664 731 350  |  | SCHRAUBE                    |                                | SCREW                                | VIS                              | TORNILLO                           |
| 3            | A31      | 2       | 664 545 147  |  | PLATTE                      |                                | PLATE                                | PLAQUETTE                        | PLANCHA                            |
| 3            | A33      | 2       | 664 038 407  |  | BUCHSE                      |                                | BUSH                                 | DOUILLE                          | CASQUILLO                          |
| 3            | A34      | 4       | 664 731 350  |  | SCHRAUBE                    |                                | SCREW                                | VIS                              | TORNILLO                           |
| 3            | A35      | 2       | 664 545 156  |  | PLATTE                      |                                | PLATE                                | PLAQUETTE                        | PLANCHA                            |
| 3            | A36      | 2       | 664 038 400  |  | BUCHSE                      |                                | BUSH                                 | DOUILLE                          | CASQUILLO                          |
| 3            | A5       | 2       | 664 728 522  |  | SCHRAUBE                    |                                | SCREW                                | VIS                              | TORNILLO                           |
| 3            | A51      | 1       | 664 302 847  |  | ACHSE, VORDERRAD            |                                | AXLE, FRONT<br>WHEELS                | AXE ROUES AVANT                  | EJE, RUEDAS<br>DELANTERAS          |
| 3            | A58      | 1       | 664 002 040  |  | STANGE,<br>HÖHENVERSTELLUNG |                                | ROD, HEIGHT<br>ADJUSTMENT<br>CONTROL | TIGE COMMANDE<br>REGLAGE HAUTEUR | VÁSTAGO, AJUSTE<br>ALTURA          |
| 3            | A59      | 2       | 664 000 930  |  | SPRENGRING                  |                                | SAFETY WASHER                        | RONDELLE DE<br>SÉCURITÉ          | ANILLO DE<br>SEGURIDAD             |
| 3            | A6       | 1       | 664 060 200  |  | SCHUTZ                      |                                | PROTECTION                           | PROTECTION                       | PROTECCIÓN                         |
| 3            | A61      | 1       | 664 446 187  |  | FEDER                       |                                | SPRING                               | RESSORT                          | MUELLE                             |
| 3            | A62      | 2       | 664 604 899  |  | SICHERUNGSSCHEIB<br>E       |                                | SAFETY WASHER                        | RONDELLE DE<br>SÉCURITÉ          | ARANDELA<br>SEGURIDAD              |
| 3            | A63      | 1       | 664 529 662  |  | BOLZEN                      |                                | PIN                                  | PIVOT                            | PIVOTE                             |
| 3            | A64      | 1       | 664 672 151  |  | SCHEIBE                     |                                | WASHER                               | RONDELLE                         | ARANDELA                           |
| 3            | A65      | 1       | 664 001 269  |  | STANGE,<br>HINTERRADACHSE   |                                | ROD, REAR WHEELS<br>AXLE             | TIGE, AXE ROUE<br>ARRIERES       | VÁSTAGO, EJE<br>RUEDAS TRASERAS    |
| 3            | A66      | 1       | 664 000 479  |  | SEKTOR,<br>HÖHENVERSTELLUNG |                                | SECTOR, HEIGHT<br>ADJUSTMENT         | SECTEUR REGLAGE<br>HAUTEUR       | SECTOR, AJUSTE<br>ALTURA           |
| 3            | A67      | 1       | 664 672 152  |  | SCHEIBE                     |                                | WASHER                               | RONDELLE                         | ARANDELA                           |
| 3            | A68      | 1       | 664 785 109  |  | HALTER                      |                                | SUPPORT, HEIGHT                      | SUPPORT REGLAGE                  | SOPORTE, ALTURA                    |
| 3            | A69      | 1       | 664 293 201  |  | MUTTER                      |                                | NUT                                  | ECROU                            | TUERCA                             |
| 3            | A7       | 1       | 664 729 600  |  | SCHRAUBE                    |                                | SCREW                                | VIS                              | TORNILLO                           |
| 3            | A70      | 2       | 664 793 301  |  | SCHRAUBE                    |                                | SCREW                                | VIS                              | TORNILLO                           |
| 3            | A71      | 1       | 664 785 113  |  | HALTER, GRIFF               |                                | SUPPORT, HANDLE                      | SUPPORT POIGNÉE                  | SOPORTE, MANILLAR                  |
| 3            | A72      | 2       | 664 293 201  |  | MUTTER                      |                                | NUT                                  | ECROU                            | TUERCA                             |
| 3            | A73      | 1       | 664 729 600  |  | SCHRAUBE                    |                                | SCREW                                | VIS                              | TORNILLO                           |
| 3            | A74      | 1       | 664 793 301  |  | SCHRAUBE                    |                                | SCREW                                | VIS                              | TORNILLO                           |
| 3            | A75      | 2       | 664 038 002  |  | BUCHSE                      |                                | BUSH                                 | DOUILLE                          | CASQUILLO                          |
| 3            | A76      | 1       | 664 393 611  |  | GRIFF                       |                                | KNOB                                 | POIGNÉE                          | MANETA                             |
| 3            | A78      | 1       | 664 293 201  |  | MUTTER                      |                                | NUT                                  | ECROU                            | TUERCA                             |
| 3            | A79      | 1       | 664 622 640  |  | STIFT                       |                                | PIN                                  | GOUPILLE                         | PASADOR                            |
| 3            | A8       | 2       | 664 523 040  |  | SCHEIBE                     |                                | WASHER                               | RONDELLE                         | ARANDELA                           |

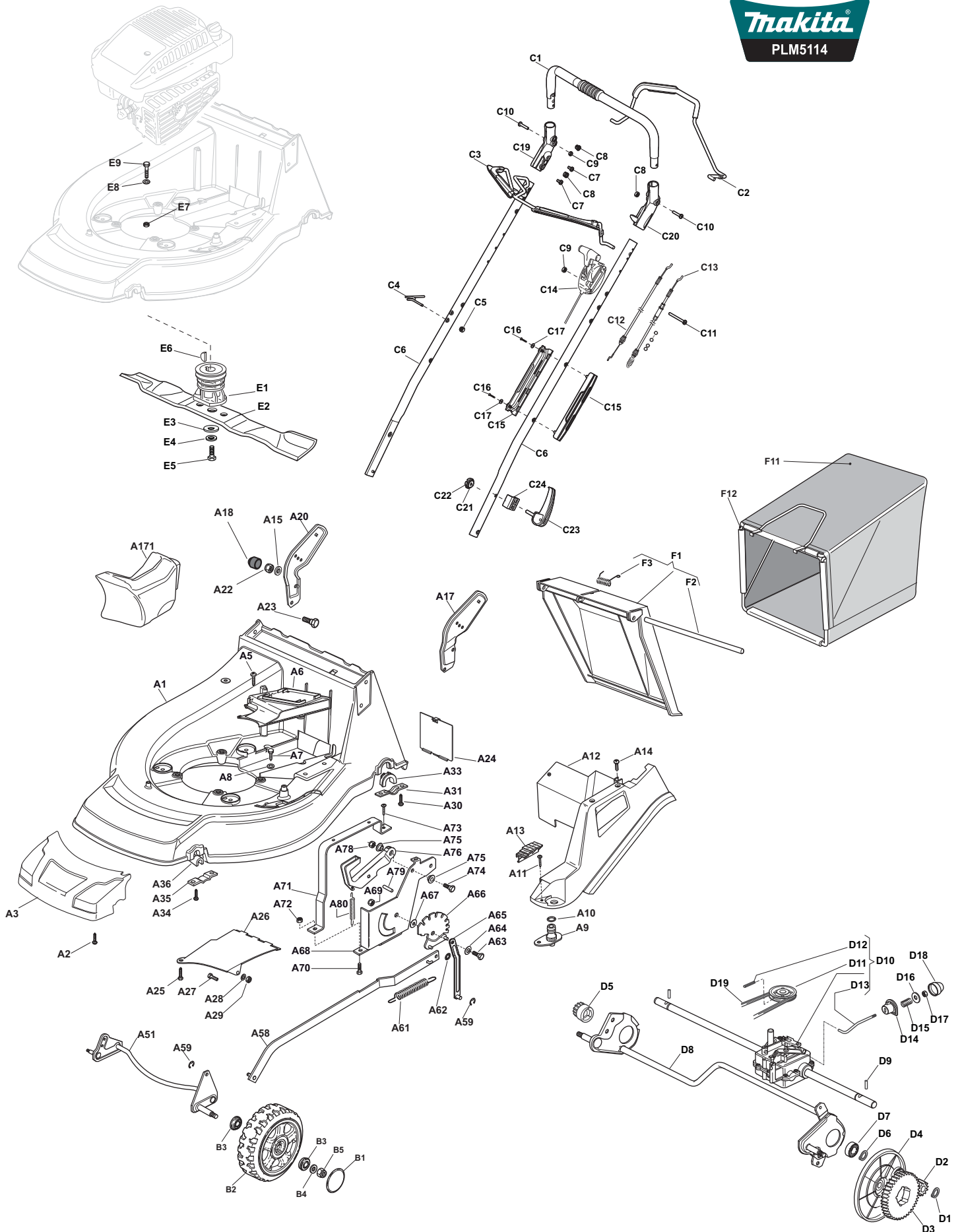


| Seite / Page | Pos. | PLM5115 | Teil-Nr.<br>Part No.<br>No. de pièce<br>No. de pieza | Hinweise<br>Notes<br>Renseign.<br>Nota | Bezeichnung                 | Spezifikation<br>Specification | Description                             | Désignation                                  | Denominación                                     |
|--------------|------|---------|--|--|-----------------------------|--------------------------------|---|--|--|
| 3            | A80  | 1       | 664 446 175  |  | FEDER                       |                                | SPRING                                  | RESSORT                                      | RESORTE  |
| 3            | A9   | 1       | 664 034 000  |  | SCHLAUCHANSCHLUSS           |                                | WASHING CONNECTION                      | ATTAQUE LAVAGE                               | RACOR DE EMPALME                                 |
| 3            | B1   | 4       | 664 110 653  |  | RADKAPPE                    |                                | WHEEL COVER                             | CHAPEAU DE MOYEU                             | CAPERUZA DE RUEDA                                |
| 3            | B2   | 4       | 664 007 409  |  | RAD                         | Ø 210                          | WHEEL                                   | ROUE   | RUEDA  |
| 3            | B3   | 8       | 664 216 035  |  | LAGER                       |                                | BEARING                                 | COUSSINET                                    | RODAMIENTO                                       |
| 3            | B4   | 4       | 664 521 350  |  | SCHEIBE                     |                                | WASHER                                  | RONDELLE                                     | ARANDELA   |
| 3            | B5   | 4       | 664 155 000  |  | MUTTER                      |                                | NUT                                     | ECROU  | TUERCA   |
| 3            | C1   | 1       | 664 006 670  |  | HANDGRIFF                   |                                | HANDGRIP                                | POIGNÉE                                      | MANGO  |
| 3            | C10  | 2       | 664 728 721  |  | SCHRAUBE                    |                                | SCREW                                   | VIS  | TORNILLO   |
| 3            | C11  | 1       | 664 727 786  |  | SCHRAUBE                    |                                | SCREW                                   | VIS  | TORNILLO   |
| 3            | C12  | 1       | 664 030 077  |  | BOWDENZUG<br>(MOTORBREMSE)  |                                | CONTROL CABLE<br>(MOTOR BRAKE)          | CÂBLE BOWDEN<br>(FREIN MOTEUR)               | TRACCIÓN BOWDEN<br>(FRENO MOTOR)                 |
| 3            | C13  | 1       | 664 030 078  |  | BOWDENZUG<br>(RADANTRIEB)   |                                | CONTROL CABLE<br>(WHEEL DRIVE)          | CÂBLE BOWDEN<br>(ENTRAÎNEMENT DE ROUE)       | TRACCIÓN BOWDEN<br>(TRACCIÓN DE RUEDA)           |
| 3            | C14  | 1       | 664 007 199  |  | GASHEBEL MIT<br>BOWDENZUG   |                                | THROTTLE LEVER<br>WITH CONTROL<br>CABLE | ACCÉLÉRATEUR<br>AVEC CÂBLE<br>BOWDEN         | PALANCA DEL<br>ACELERADOR CON<br>TRACCIÓN BOWDEN |
| 3            | C15  | 2       | 664 806 644  |  | SCHUTZ                      |                                | PROTECTION                              | PROTECTION                                   | PROTECTOR  |
| 3            | C16  | 2       | 664 727 812  |  | SCHRAUBE                    |                                | SCREW                                   | VIS  | TORNILLO   |
| 3            | C17  | 2       | 664 523 000  |  | SCHEIBE                     |                                | WASHER                                  | RONDELLE                                     | ARANDELA   |
| 3            | C19  | 1       | 664 488 301  |  | HALTER, RECHTS              |                                | SUPPORT, R                              | SUPPORT D                                    | SOPORTE DER.                                     |
| 3            | C2   | 1       | 664 003 349  |  | HEBEL, ANTRIEB              |                                | LEVER, DRIVING                          | LEVIER TRACTION                              | PALANCA,<br>CONDUCCIÓN                           |
| 3            | C20  | 1       | 664 488 303  |  | HALTER, LINKS               |                                | SUPPORT, L                              | SUPPORT G                                    | SOPORTE, IZQ.                                    |
| 3            | C21  | 2       | 664 131 750  |  | MUTTER                      |                                | NUT                                     | ECROU  | TUERCA   |
| 3            | C22  | 2       | 664 399 835  |  | GRIFF                       |                                | GRIP                                    | POIGNÉE                                      | MANGO  |
| 3            | C23  | 2       | 664 003 253  |  | GRIFF                       |                                | HANDLE                                  | POIGNÉE                                      | MANGO  |
| 3            | C24  | 2       | 664 680 017  |  | HALTER                      |                                | SUPPORT                                 | SUPPORT                                      | SOPORTE  |
| 3            | C3   | 1       | 664 003 344  |  | HEBEL,<br>MOTORBREMSE       |                                | LEVER, MOTOR<br>BRAKE                   | LEVIER FREIN<br>MOTEUR                       | PALANCA, FRENO<br>MOTOR                          |
| 3            | C30  | 1       | 664 007 195  |  | BOWDENZUG,<br>GANGSCHALTUNG |                                | BOWDEN CABLE,<br>SPEED DRIVE<br>CONTROL | CÂBLE BOWDEN,<br>COMM. CHANGEMENT<br>VITESSE | CABLE BOWDEN,<br>CAJA DE CAMBIOS                 |
| 3            | C31  | 1       | 664 727 786  |  | SCHRAUBE                    |                                | SCREW                                   | VIS  | TORNILLO   |
| 3            | C32  | 1       | 664 154 510  |  | MUTTER                      |                                | NUT                                     | ECROU  | TUERCA   |
| 3            | C4   | 1       | 664 430 309  |  | FEDERFÜHRUNG                |                                | GUIDE SPRING                            | RESSORT DE GUIDE                             | RESORTE DE GUÍA                                  |
| 3            | C5   | 1       | 664 154 330  |  | MUTTER                      |                                | NUT                                     | ECROU  | TUERCA   |
| 3            | C6   | 2       | 664 007 046  |  | HOLM                        | BLACK                          | HANDLE                                  | MANCHERON                                    | MANILLAR   |
| 3            | C7   | 4       | 664 735 662  |  | SCHRAUBE                    |                                | SCREW                                   | VIS  | TORNILLO   |
| 3            | C8   | 4       | 664 041 967  |  | BUCHSE                      |                                | BUSH                                    | DOUILLE                                      | CASQUILLO  |
| 3            | C9   | 3       | 664 154 510  |  | MUTTER                      |                                | NUT                                     | ECROU  | TUERCA   |
| 3            | D1   | 2       | 664 608 600  |  | SICHERUNGSRING              |                                | SEEGER                                  | SEEGER                                       | ANILLO DE<br>SEGURIDAD                           |
| 3            | D10  | 1       | 664 003 080  |  | ANTRIEB                     |                                | GEAR BOX                                | GROUPE TRACTION                              | UNIDAD DE TRACCIÓN                               |
| 3            | D11  | 1       | 664 601 908  |  | RIEMENSCHLEIBE              |                                | PULLEY                                  | POULIE                                       | POLEA  |
| 3            | D12  | 1       | 664 645 705  |  | STIFT                       |                                | PIN                                     | GOUPILLE                                     | PASADOR  |
| 3            | D13  | 1       | 664 033 282  |  | VERSTELLHEBEL               |                                | ADJUSTMENT ROD                          | TIGE REGLAGE                                 | VÁSTAGO DE AJUSTE                                |
| 3            | D14  | 1       | 664 041 957  |  | BUCHSE                      |                                | BUSH                                    | DOUILLE                                      | CASQUILLO  |
| 3            | D15  | 1       | 664 450 063  |  | FEDER                       |                                | SPRING                                  | RESSORT                                      | RESORTE  |
| 3            | D16  | 1       | 664 680 009  |  | SCHEIBE                     |                                | WASHER                                  | RONDELLE                                     | ARANDELA   |
| 3            | D17  | 1       | 664 154 510  |  | MUTTER                      |                                | NUT                                     | ECROU  | TUERCA   |
| 3            | D18  | 1       | 664 110 230  |  | NABENDECKEL                 |                                | HUB COVER                               | COUVRE MOYEU                                 | TAPACUBOS  |
| 3            | D19  | 1       | 664 064 197  |  | RIEMEN                      | (Z LP 885)                     | BELT                                    | COURROIRE                                    | CORREA   |
| 3            | D2   | 1       | 664 570 120  |  | RITZEL LINKS                |                                | PINION L                                | PIGNON G                                     | PIÑÓN, IZQ.                                      |
| 3            | D3   | 2       | 664 120 105  |  | ZAHNRAD                     |                                | RING GEAR                               | COURONNE                                     | CORONA DENTADA                                   |
| 3            | D4   | 2       | 664 600 218  |  | SCHUTZABDECKUNG             |                                | PROTECTION                              | PROTECTION                                   | PROTECTOR  |
| 3            | D5   | 1       | 664 570 110  |  | RITZEL RECHTS               |                                | PINION RIGHT                            | PIGNON D                                     | PIÑÓN, DER.                                      |
| 3            | D6   | 2       | 664 608 600  |  | SICHERUNGSRING              |                                | SEEGER                                  | SEEGER                                       | ANILLO DE<br>SEGURIDAD                           |
| 3            | D7   | 2       | 664 216 035  |  | LAGER                       |                                | BEARING                                 | COUSSINET                                    | RODAMIENTO                                       |
| 3            | D8   | 1       | 664 302 845  |  | ACHSE, HINTERRAD            |                                | AXLE, REAR WHEELS                       | AXE ROUES ARRIERE                            | EJE, RUEDAS<br>TRASERAS                          |



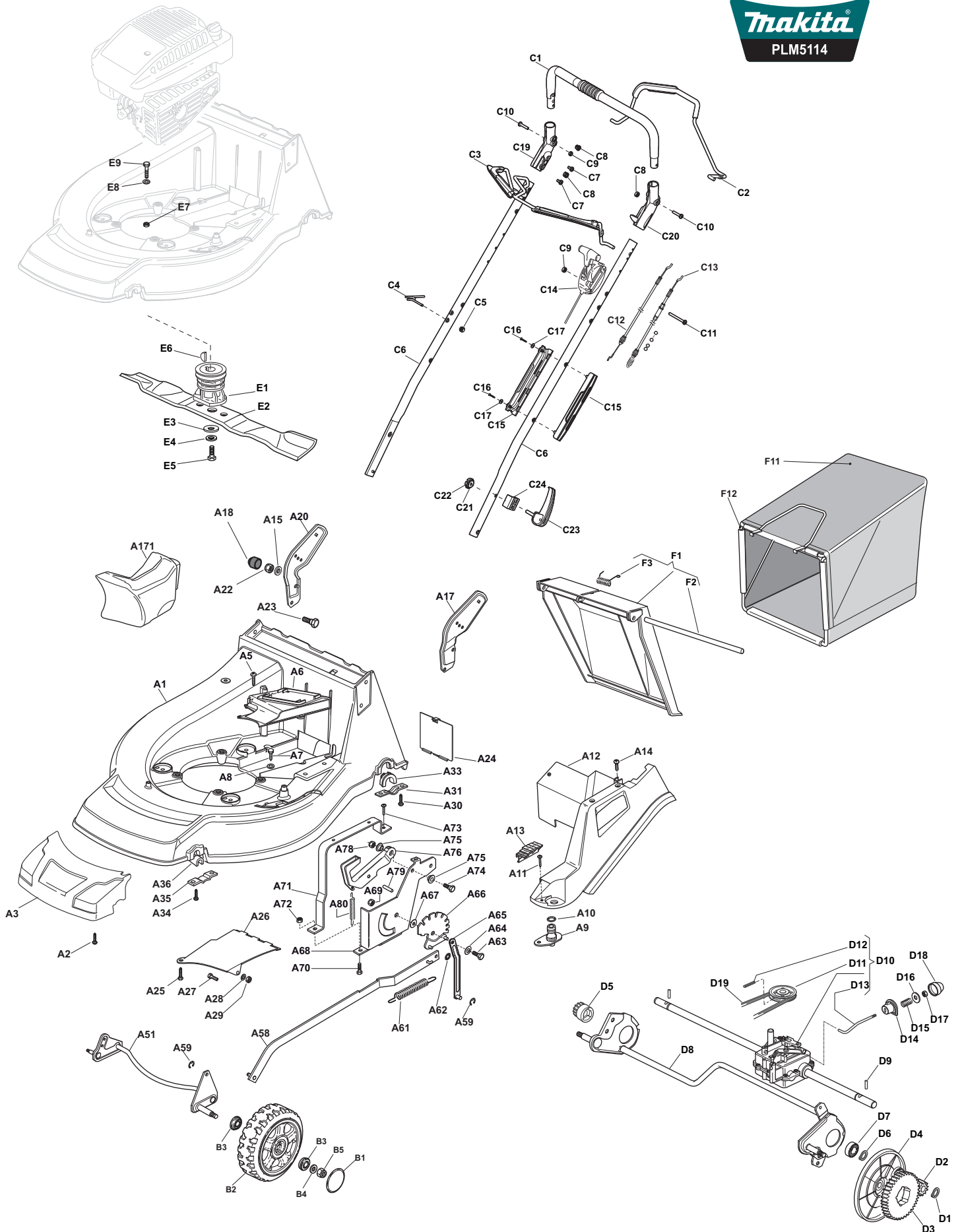
| Seite / Page | Pos. | PLM5115 | Teil-Nr.<br>Part No.<br>No. de pièce<br>No. de pieza | Hinweise<br>Notes<br>Renseign.<br>Nota | Bezeichnung  | Spezifikation<br>Specification | Description               | Désignation        | Denominación           |
|--------------|------|---------|--|--|--------------|--------------------------------|---------------------------|--------------------|------------------------|
| 3            | D9   | 2       | 664 753 000  |  | STIFT        |                                | PIN                       | GOUPILLE           | PASADOR                |
| 3            | E1   | 1       | 664 465 608  |  | MESSERHALTER |                                | HUB WITH PULLEY           | MOYEU AVEC POULIE  | SOPORTE DE LA CUCHILLA |
| 3            | E2   | 1       | 664 004 381  |  | MULCHMESSER  |                                | BLADE (COLLECT AND MULCH) | LAME               | CUCHILLA ESTÁNDAR      |
| 3            | E3   | 1       | 664 160 400  |  | FEDERSCHEIBE |                                | ELASTIC WASHER            | RONDELLE ELASTIQUE | ARANDELA ELÁSTICA      |
| 3            | E4   | 1       | 664 523 080  |  | SCHEIBE      |                                | WASHER                    | RONDELLE           | ARANDELA               |
| 3            | E5   | 1       | 664 735 698  |  | SCHRAUBE     |                                | SCREW                     | VIS                | TORNILLO               |
| 3            | E6   | 1       | 664 139 150  |  | KEIL         |                                | FEATHER                   | CLAVETTE           | CHAVETA                |
| 3            | E7   | 3       | 664 155 000  |  | MUTTER       |                                | NUT                       | ECROU              | TUERCA                 |
| 3            | E8   | 3       | 664 521 350  |  | SCHEIBE      |                                | WASHER                    | RONDELLE           | ARANDELA               |
| 3            | E9   | 1       | 664 735 108  |  | SCHRAUBE     |                                | SCREW                     | VIS                | TORNILLO               |
| 3            | F1   | 1       | 664 008 114  |  | PRALLBLECH   |                                | STONE-GUARD               | PARE-PIERRES       | CUBIERTA PROTECTORA    |
| 3            | F11  | 1       | 664 002 124  |  | SACK, TUCH   |                                | BOX, FABRIC               | SAC, TOILE         | CESTO, TELA            |
| 3            | F12  | 1       | 664 006 430  |  | RAHMEN       |                                | FRAME                     | CADRE              | MARCO                  |
| 3            | F2   | 1       | 664 450 270  |  | FEDER        |                                | SPRING                    | RESSORT            | MUELLE                 |
| 3            | F3   | 1       | 664 517 907  |  | BOLZEN       |                                | PIN                       | PIVOT              | PIVOTE                 |
| 3            | G1   | 1       | 664 365 738  |  | SCHILD       | PLM5115                        | LABEL                     | PLAQUE             | CALCOMANIA             |



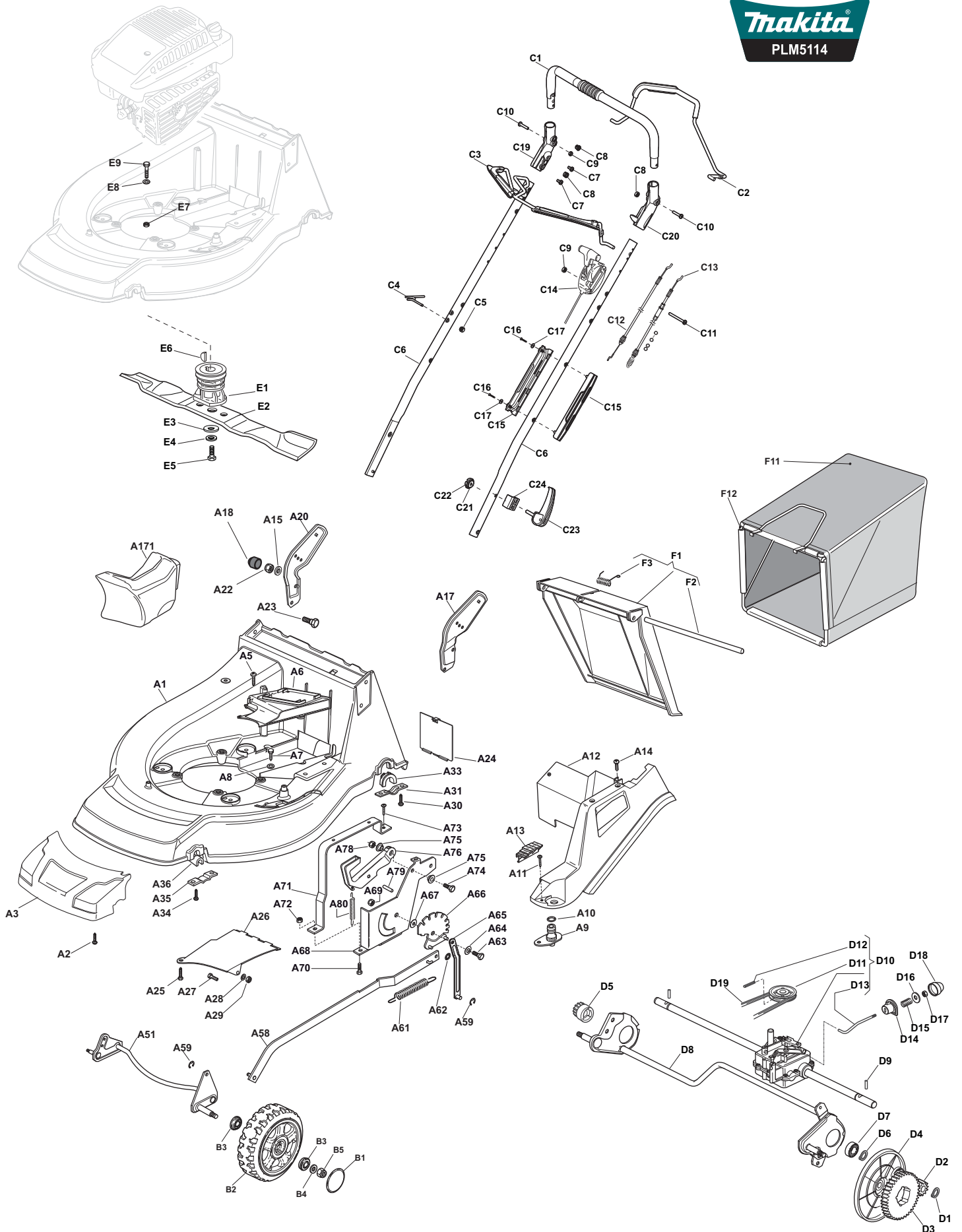




| Seite / Page | Pos.     | Teil-Nr.<br>Part No.<br>No. de pièce<br>No. de pieza | Hinweise<br>Notes<br>Renseign.<br>Nota | Bezeichnung                     | Spezifikation<br>Specification | Description                          | Désignation                      | Denominación                       |
|--------------|----------|--|--|---------------------------------|--------------------------------|--------------------------------------|----------------------------------|------------------------------------|
| 4            | A1       | 1 664 003 516  |  | GEHÄUSE BLAU                    |                                | DECK BLUE                            | CHÂSSIS BLEU                     | CAJA AZUL                          |
| 4            | A10      | 1 664 035 000  |  | O-RING                          |                                | O-RING                               | O-RING                           | JUNTA TÓRICA                       |
| 4            | A11      | 3 664 728 519  |  | SCHRAUBE                        |                                | SCREW                                | VIS                              | TORNILLO                           |
| 4            | A12      | 1 664 060 144  |  | GEHÄUSE                         |                                | DECK, ADJUSTMENT                     | CHÂSSIS REGLAGE                  | CARCASA, AJUSTE                    |
| 4            | A13      | 1 664 570 200  |  | PLATTE,<br>HÖHENVERSTELLUN<br>G |                                | PLATE, CUTTING<br>POSITIONS          | PLAQUETTE<br>REGLAGE             | PLANCHA,<br>POSICIONES DE<br>CORTE |
| 4            | A14      | 1 664 728 520  |  | SCHRAUBE                        |                                | SCREW                                | VIS                              | TORNILLO                           |
| 4            | A15      | 2 664 521 350  |  | SCHEIBE                         |                                | WASHER                               | RONDELLE                         | ARANDELA                           |
| 4            | A17      | 1 664 778 397  |  | HALTER, LINKS                   |                                | BRACKET, LEFT                        | BRIDE GAUCHE                     | SOPORTE, IZQ.                      |
| 4            | A17<br>1 | 1 664 140 224  |  | MULCHEINSATZ                    |                                | MULCH PLUG                           | INSERT MULCH                     | TAPA                               |
| 4            | A18      | 2 664 203 854  |  | ABDECKKAPPE                     |                                | PROTECTION                           | CAPUCHON                         | CAPERUZA                           |
| 4            | A2       | 4 664 735 420  |  | SCHRAUBE                        |                                | SCREW                                | VIS                              | TORNILLO                           |
| 4            | A20      | 1 664 778 396  |  | HALTER, RECHTS                  |                                | BRACKET, RIGHT                       | BRIDE DROITE                     | SOPORTE, DER.                      |
| 4            | A22      | 2 664 155 000  |  | MUTTER                          |                                | NUT                                  | ECROU                            | TUERCA                             |
| 4            | A23      | 2 664 793 102  |  | SCHRAUBE                        |                                | SCREW                                | VIS                              | TORNILLO                           |
| 4            | A24      | 1 664 595 352  |  | ABDECKPLATTE                    |                                | INSPECTION DOOR                      | VOYANT DE VISITE                 | PUERTA DE<br>INSPECCIÓN            |
| 4            | A25      | 1 664 729 600  |  | SCHRAUBE                        |                                | SCREW                                | VIS                              | TORNILLO                           |
| 4            | A26      | 1 664 108 205  |  | ABDECKBLECH                     |                                | PLATE                                | CONVOYEUR                        | PLANCHA<br>PROTECTORA              |
| 4            | A27      | 1 664 789 000  |  | SCHRAUBE                        |                                | SCREW                                | VIS                              | TORNILLO                           |
| 4            | A28      | 1 664 523 020  |  | SCHEIBE                         |                                | WASHER                               | RONDELLE                         | ARANDELA                           |
| 4            | A29      | 1 664 154 330  |  | MUTTER                          |                                | NUT                                  | ECROU                            | TUERCA                             |
| 4            | A3       | 1 664 226 109  |  | MASKE                           |                                | MASK                                 | MESQUE                           | CARETA                             |
| 4            | A30      | 4 664 731 350  |  | SCHRAUBE                        |                                | SCREW                                | VIS                              | TORNILLO                           |
| 4            | A31      | 2 664 545 147  |  | PLATTE                          |                                | PLATE                                | PLAQUETTE                        | PLANCHA                            |
| 4            | A33      | 2 664 038 407  |  | BUCHSE                          |                                | BUSH                                 | DOUILLE                          | CASQUILLO                          |
| 4            | A34      | 4 664 731 350  |  | SCHRAUBE                        |                                | SCREW                                | VIS                              | TORNILLO                           |
| 4            | A35      | 2 664 545 156  |  | PLATTE                          |                                | PLATE                                | PLAQUETTE                        | PLANCHA                            |
| 4            | A36      | 2 664 038 400  |  | BUCHSE                          |                                | BUSH                                 | DOUILLE                          | CASQUILLO                          |
| 4            | A5       | 2 664 728 522  |  | SCHRAUBE                        |                                | SCREW                                | VIS                              | TORNILLO                           |
| 4            | A51      | 1 664 302 847  |  | ACHSE,<br>VORDERRAD             |                                | AXLE, FRONT<br>WHEELS                | AXE ROUES AVANT                  | EJE, RUEDAS<br>DELANTERAS          |
| 4            | A58      | 1 664 002 040  |  | STANGE,<br>HÖHENVERSTELLUN<br>G |                                | ROD, HEIGHT<br>ADJUSTMENT<br>CONTROL | TIGE COMMANDE<br>REGLAGE HAUTEUR | VÁSTAGO, AJUSTE<br>ALTURA          |
| 4            | A59      | 2 664 000 930  |  | SPRENGRING                      |                                | SAFETY WASHER                        | RONDELLE DE<br>SÉCURITÉ          | ANILLO DE<br>SEGURIDAD             |
| 4            | A6       | 1 664 060 200  |  | SCHUTZ                          |                                | PROTECTION                           | PROTECTION                       | PROTECCIÓN                         |
| 4            | A61      | 1 664 446 187  |  | FEDER                           |                                | SPRING                               | RESSORT                          | MUELLE                             |
| 4            | A62      | 2 664 604 899  |  | SICHERUNGSSCHEI<br>BE           |                                | SAFETY WASHER                        | RONDELLE DE<br>SÉCURITÉ          | ARANDELA<br>SEGURIDAD              |
| 4            | A63      | 1 664 529 662  |  | BOLZEN                          |                                | PIN                                  | PIVOT                            | PIVOTE                             |
| 4            | A64      | 1 664 672 151  |  | SCHEIBE                         |                                | WASHER                               | RONDELLE                         | ARANDELA                           |
| 4            | A65      | 1 664 001 269  |  | STANGE,<br>HINTERRADACHSE       |                                | ROD, REAR WHEELS<br>AXLE             | TIGE, AXE ROUE<br>ARRIERES       | VÁSTAGO, EJE<br>RUEDAS TRASERAS    |
| 4            | A66      | 1 664 000 479  |  | SEKTOR,<br>HÖHENVERSTELLUN<br>G |                                | SECTOR, HEIGHT<br>ADJUSTMENT         | SECTEUR REGLAGE<br>HAUTEUR       | SECTOR, AJUSTE<br>ALTURA           |
| 4            | A67      | 1 664 672 152  |  | SCHEIBE                         |                                | WASHER                               | RONDELLE                         | ARANDELA                           |
| 4            | A68      | 1 664 785 109  |  | HALTER                          |                                | SUPPORT, HEIGHT                      | SUPPORT REGLAGE                  | SOPORTE, ALTURA                    |
| 4            | A69      | 1 664 293 201  |  | MUTTER                          |                                | NUT                                  | ECROU                            | TUERCA                             |
| 4            | A7       | 1 664 729 600  |  | SCHRAUBE                        |                                | SCREW                                | VIS                              | TORNILLO                           |
| 4            | A70      | 2 664 793 301  |  | SCHRAUBE                        |                                | SCREW                                | VIS                              | TORNILLO                           |
| 4            | A71      | 1 664 785 113  |  | HALTER, GRIFF                   |                                | SUPPORT, HANDLE                      | SUPPORT POIGNÉE                  | SOPORTE,<br>MANILLAR               |
| 4            | A72      | 2 664 293 201  |  | MUTTER                          |                                | NUT                                  | ECROU                            | TUERCA                             |
| 4            | A73      | 1 664 729 600  |  | SCHRAUBE                        |                                | SCREW                                | VIS                              | TORNILLO                           |
| 4            | A74      | 1 664 793 301  |  | SCHRAUBE                        |                                | SCREW                                | VIS                              | TORNILLO                           |
| 4            | A75      | 2 664 038 002  |  | BUCHSE                          |                                | BUSH                                 | DOUILLE                          | CASQUILLO                          |
| 4            | A76      | 1 664 393 611  |  | GRIFF                           |                                | KNOB                                 | POIGNÉE                          | MANETA                             |
| 4            | A78      | 1 664 293 201  |  | MUTTER                          |                                | NUT                                  | ECROU                            | TUERCA                             |



| Seite / Page | Pos. | PLM5114 | Teil-Nr.<br>Part No.<br>No. de pièce<br>No. de pieza | Hinweise<br>Notes<br>Renseign.<br>Nota | Bezeichnung             | Spezifikation<br>Specification | Description                       | Désignation                         | Denominación                               |
|--------------|------|---------|--|--|-------------------------|--------------------------------|-----------------------------------|-------------------------------------|--|
| 4            | A79  | 1       | 664 622 640  |  | STIFT                   |                                | PIN                               | GOUILLE                             | PASADOR                                    |
| 4            | A8   | 2       | 664 523 040  |  | SCHEIBE                 |                                | WASHER                            | RONDELLE                            | ARANDELA                                   |
| 4            | A80  | 1       | 664 446 175  |  | FEDER                   |                                | SPRING                            | RESSORT                             | RESORTE                                    |
| 4            | A9   | 1       | 664 034 000  |  | SCHLAUCHANSCHLUSS       |                                | WASHING CONNECTION                | ATTAQUE LAVAGE                      | RACOR DE EMPALME                           |
| 4            | B1   | 4       | 664 110 653  |  | RADKAPPE                |                                | WHEEL COVER                       | CHAPEAU DE MOYEU                    | CAPERUZA DE RUEDA                          |
| 4            | B2   | 4       | 664 007 409  |  | RAD                     | Ø 210                          | WHEEL                             | ROUE                                | RUEDA                                      |
| 4            | B3   | 8       | 664 216 035  |  | LAGER                   |                                | BEARING                           | COUSSINET                           | RODAMIENTO                                 |
| 4            | B4   | 4       | 664 521 350  |  | SCHEIBE                 |                                | WASHER                            | RONDELLE                            | ARANDELA                                   |
| 4            | B5   | 4       | 664 155 000  |  | MUTTER                  |                                | NUT                               | ECROU                               | TUERCA                                     |
| 4            | C1   | 1       | 664 006 670  |  | HANDGRIFF               |                                | HANDGRIP                          | POIGNÉE                             | MANGO                                      |
| 4            | C10  | 2       | 664 728 721  |  | SCHRAUBE                |                                | SCREW                             | VIS                                 | TORNILLO                                   |
| 4            | C11  | 1       | 664 727 786  |  | SCHRAUBE                |                                | SCREW                             | VIS                                 | TORNILLO                                   |
| 4            | C12  | 1       | 664 030 077  |  | BOWDENZUG (MOTORBREMSE) |                                | CONTROL CABLE (MOTOR BRAKE)       | CÂBLE BOWDEN (FREIN MOTEUR)         | TRACCIÓN BOWDEN (FRENO MOTOR)              |
| 4            | C13  | 1       | 664 030 078  |  | BOWDENZUG (RADANTRIEB)  |                                | CONTROL CABLE (WHEEL DRIVE)       | CÂBLE BOWDEN (ENTRAÎNEMENT DE ROUE) | TRACCIÓN BOWDEN (TRACCIÓN DE RUEDA)        |
| 4            | C14  | 1       | 664 007 145  |  | GASHEBEL MIT BOWDENZUG  |                                | THROTTLE LEVER WITH CONTROL CABLE | ACCÉLÉRATEUR AVEC CÂBLE BOWDEN      | PALANCA DEL ACELERADOR CON TRACCIÓN BOWDEN |
| 4            | C15  | 2       | 664 806 644  |  | SCHUTZ                  |                                | PROTECTION                        | PROTECTION                          | PROTECTOR                                  |
| 4            | C16  | 2       | 664 727 812  |  | SCHRAUBE                |                                | SCREW                             | VIS                                 | TORNILLO                                   |
| 4            | C17  | 2       | 664 523 000  |  | SCHEIBE                 |                                | WASHER                            | RONDELLE                            | ARANDELA                                   |
| 4            | C19  | 1       | 664 488 301  |  | HALTER, RECHTS          |                                | SUPPORT, R                        | SUPPORT D                           | SOPORTE DER.                               |
| 4            | C2   | 1       | 664 003 349  |  | HEBEL, ANTRIEB          |                                | LEVER, DRIVING                    | LEVIER TRACTION                     | PALANCA, CONDUCCIÓN                        |
| 4            | C20  | 1       | 664 488 303  |  | HALTER, LINKS           |                                | SUPPORT, L                        | SUPPORT G                           | SOPORTE, IZQ.                              |
| 4            | C21  | 2       | 664 131 750  |  | MUTTER                  |                                | NUT                               | ECROU                               | TUERCA                                     |
| 4            | C22  | 2       | 664 399 835  |  | GRIFF                   |                                | GRIP                              | POIGNÉE                             | MANGO                                      |
| 4            | C23  | 2       | 664 003 253  |  | GRIFF                   |                                | HANDLE                            | POIGNÉE                             | MANGO                                      |
| 4            | C24  | 2       | 664 680 017  |  | HALTER                  |                                | SUPPORT                           | SUPPORT                             | SOPORTE                                    |
| 4            | C3   | 1       | 664 003 344  |  | HEBEL, MOTORBREMSE      |                                | LEVER, MOTOR BRAKE                | LEVIER FREIN MOTEUR                 | PALANCA, FRENO MOTOR                       |
| 4            | C4   | 1       | 664 430 309  |  | FEDERFÜHRUNG            |                                | GUIDE SPRING                      | RESSORT DE GUIDE                    | RESORTE DE GUÍA                            |
| 4            | C5   | 1       | 664 154 330  |  | MUTTER                  |                                | NUT                               | ECROU                               | TUERCA                                     |
| 4            | C6   | 2       | 664 007 046  |  | HOLM                    | BLACK                          | HANDLE                            | MANCHERON                           | MANILLAR                                   |
| 4            | C7   | 4       | 664 735 662  |  | SCHRAUBE                |                                | SCREW                             | VIS                                 | TORNILLO                                   |
| 4            | C8   | 4       | 664 041 967  |  | BUCHSE                  |                                | BUSH                              | DOUILLE                             | CASQUILLO                                  |
| 4            | C9   | 3       | 664 154 510  |  | MUTTER                  |                                | NUT                               | ECROU                               | TUERCA                                     |
| 4            | D1   | 2       | 664 608 600  |  | SICHERUNGSRING          |                                | SEEGER                            | SEEGER                              | ANILLO DE SEGURIDAD                        |
| 4            | D10  | 1       | 664 003 079  |  | ANTRIEB                 | (FRANCE REDUCTEURS)            | GEAR BOX                          | GROUPE TRACTION                     | UNIDAD DE TRACCIÓN                         |
| 4            | D11  | 1       | 664 601 909  |  | RIEMENSCHLEIBE          |                                | PULLEY                            | POULIE                              | POLEA                                      |
| 4            | D12  | 1       | 664 645 705  |  | STIFT                   |                                | PIN                               | GOUILLE                             | PASADOR                                    |
| 4            | D13  | 1       | 664 033 281  |  | VERSTELLHEBEL           |                                | ADJUSTMENT ROD                    | TIGE REGLAGE                        | VÁSTAGO DE AJUSTE                          |
| 4            | D14  | 1       | 664 041 957  |  | BUCHSE                  |                                | BUSH                              | DOUILLE                             | CASQUILLO                                  |
| 4            | D15  | 1       | 664 450 063  |  | FEDER                   |                                | SPRING                            | RESSORT                             | RESORTE                                    |
| 4            | D16  | 1       | 664 680 009  |  | SCHEIBE                 |                                | WASHER                            | RONDELLE                            | ARANDELA                                   |
| 4            | D17  | 1       | 664 154 510  |  | MUTTER                  |                                | NUT                               | ECROU                               | TUERCA                                     |
| 4            | D18  | 1       | 664 110 230  |  | NABENDECKEL             |                                | HUB COVER                         | COUVRE MOYEU                        | TAPACUBOS                                  |
| 4            | D19  | 1       | 664 064 195  |  | KEILRIEMEN              | Z 33                           | BELT                              | COURROIE                            | CORREA                                     |
| 4            | D2   | 1       | 664 570 120  |  | RITZEL LINKS            |                                | PINION L                          | PIGNON G                            | PIÑÓN, IZQ.                                |
| 4            | D3   | 2       | 664 120 105  |  | ZAHNRAD                 |                                | RING GEAR                         | COURONNE                            | CORONA DENTADA                             |
| 4            | D4   | 2       | 664 600 218  |  | SCHUTZABDECKUNG         |                                | PROTECTION                        | PROTECTION                          | PROTECTOR                                  |
| 4            | D5   | 1       | 664 570 110  |  | RITZEL RECHTS           |                                | PINION RIGHT                      | PIGNON D                            | PIÑÓN, DER.                                |
| 4            | D6   | 2       | 664 608 600  |  | SICHERUNGSRING          |                                | SEEGER                            | SEEGER                              | ANILLO DE SEGURIDAD                        |
| 4            | D7   | 2       | 664 216 035  |  | LAGER                   |                                | BEARING                           | COUSSINET                           | RODAMIENTO                                 |



| Seite / Page | Pos. | PLM5114 | Teil-Nr.<br>Part No.<br>No. de pièce<br>No. de pieza | Hinweise<br>Notes<br>Renseign.<br>Nota | Bezeichnung      | Spezifikation<br>Specification | Description                  | Désignation           | Denominación              |
|--------------|------|---------|--|--|------------------|--------------------------------|------------------------------|-----------------------|---------------------------|
| 4            | D8   | 1       | 664 302 845  |  | ACHSE, HINTERRAD |                                | AXLE, REAR<br>WHEELS         | AXE ROUES<br>ARRIERE  | EJE, RUEDAS<br>TRASERAS   |
| 4            | D9   | 2       | 664 753 000  |  | STIFT            |                                | PIN                          | GOUPILLE              | PASADOR                   |
| 4            | E1   | 1       | 664 465 607  |  | MESSERHALTER     |                                | HUB                          | MOYEU                 | SOPORTE DE LA<br>CUCHILLA |
| 4            | E2   | 1       | 664 004 381  |  | MULCHMESSER      |                                | BLADE (COLLECT<br>AND MULCH) | LAME                  | CUCHILLA<br>ESTÁNDAR      |
| 4            | E3   | 1       | 664 160 400  |  | FEDERSCHEIBE     |                                | ELASTIC WASHER               | RONDELLE<br>ELASTIQUE | ARANDELA<br>ELÁSTICA      |
| 4            | E4   | 1       | 664 523 080  |  | SCHEIBE          |                                | WASHER                       | RONDELLE              | ARANDELA                  |
| 4            | E5   | 1       | 664 735 698  |  | SCHRAUBE         |                                | SCREW                        | VIS                   | TORNILLO                  |
| 4            | E6   | 1       | 664 139 100  |  | KEIL             |                                | KEY                          | CLAVETTE              | CHAVETA                   |
| 4            | E7   | 3       | 664 155 000  |  | MUTTER           |                                | NUT                          | ECROU                 | TUERCA                    |
| 4            | E8   | 3       | 664 521 350  |  | SCHEIBE          |                                | WASHER                       | RONDELLE              | ARANDELA                  |
| 4            | E9   | 1       | 664 692 080  |  | SCHRAUBE         |                                | SCREW                        | VIS                   | TORNILLO                  |
| 4            | E9   | 3       | 664 691 800  |  | SCHRAUBE         |                                | SCREW                        | VIS                   | TORNILLO                  |
| 4            | F1   | 1       | 664 008 114  |  | PRALLBLECH       |                                | STONE-GUARD                  | PARE-PIERRES          | CUBIERTA<br>PROTECTORA    |
| 4            | F11  | 1       | 664 002 124  |  | SACK, TUCH       |                                | BOX, FABRIC                  | SAC, TOILE            | CESTO, TELA               |
| 4            | F12  | 1       | 664 006 430  |  | RAHMEN           |                                | FRAME                        | CADRE                 | MARCO                     |
| 4            | F2   | 1       | 664 450 270  |  | FEDER            |                                | SPRING                       | RESSORT               | MUELLE                    |
| 4            | F3   | 1       | 664 517 907  |  | BOLZEN           |                                | PIN                          | PIVOT                 | PIVOTE                    |
| 4            | G1   | 1       | 664 365 737  |  | SCHILD           | PLM5114                        | LABEL                        | PLAQUE                | CALCOMANIA                |

- 1 PLM4815  
PLM4815  
PLM4815  
PLM4815
- 2 PLM4816  
PLM4816  
PLM4816  
PLM4816
- 3 PLM5115  
PLM5115  
PLM5115  
PLM5115
- 4 PLM5114  
PLM5114  
PLM5114  
PLM5114

|  | Zeichenerklärung   | Key to symbols  |
|--|--|---|
| => 1999999<br>2000000 =><br>2003.04 =><br>TI 2003/07<br>Acc.<br>=<br>{<br>m<br>Corr. | Produktion bis Serien-Nr.<br>Neues Teil ab Serien-Nr.<br>Neues Teil ab Jahr / Monat<br>Siehe Technische Information Jahr / Nr.<br>Zubehör (nicht im Lieferumfang)<br>Keine Serienausführung, jedoch verwendbar<br>Beinhaltet Positions-Nr.<br>Meterware<br>Druckfehlerberichtigung   | Production to serial number<br>New part from serial number<br>New part from Year / Month<br>See Technical Information Year / No.<br>Accessories (not included in the delivery inventory)<br>No standard execution, may be used<br>Contains item number<br>Sold by the meter<br>Error correction |
|  | Änderungen vorbehalten   | Specifications subject to change without notice   |
|  | Légende  | Explicación de símbolos   |
| => 1999999<br>2000000 =><br>2003.04 =><br>TI 2003/07<br>Acc.<br>=<br>{<br>m<br>Corr. | Production jusqu'à n° de série<br>Nouvelle pièce à partir du n° de série<br>Nouvelle pièce à partir de année / mois<br>Voir information technique année / n°<br>Accessoires (non compris dans la livraison)<br>Aucune exécut. en série, cependant utilisable<br>contient n° de numéro<br>Au mètre<br>Rectification d'erreurs | Producción hasta N° de serie<br>Pieza nueva a partir de N° de serie<br>Pieza nueva a partir de año / mes<br>Véase inform. técnico año / N°<br>Accesorios (no incluido en la extensión del suministro)<br>No es de serie, pero sirve<br>Contiene pos N°<br>Por metro<br>Fe de erratas            |
|  | Changements sans préavis   | Mejoras constructivas sin previo aviso  |